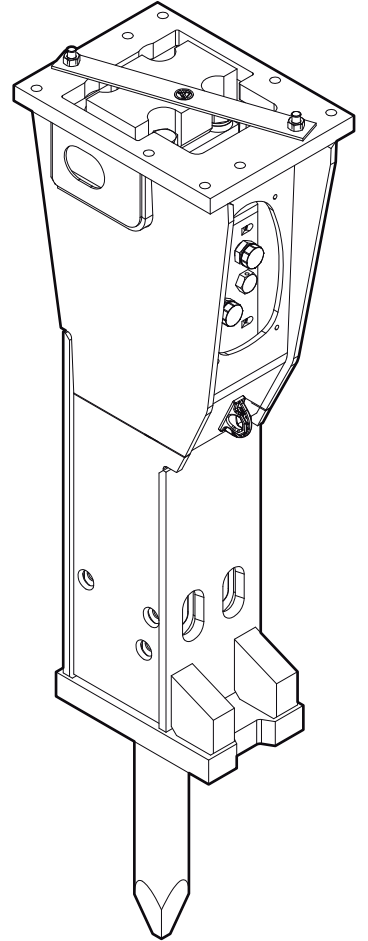


Spare parts list Hydraulic breakers

| | |
|-----------|--------------------------|
| | Valid from serial number |
| MB 1000 E | DEQ120652 |



Contents

| | |
|---|----|
| General information..... | 5 |
| Spare parts list..... | 6 |
| Hydraulic breaker..... | 6 |
| Percussion unit part 1: cylinder cover..... | 8 |
| Percussion unit part 2: cylinder..... | 10 |
| Percussion unit part 3: lower breaker part..... | 12 |
| StartSelect - AutoStart or AutoStop..... | 14 |
| Optional parts..... | 16 |
| Tightening torques..... | 17 |
| Working tools..... | 18 |
| MB 1000..... | 18 |
| Accessories..... | 19 |
| Hydraulic hoses..... | 19 |
| Optional equipment..... | 19 |
| Kits..... | 20 |
| Label kit..... | 20 |
| Seal kit..... | 21 |
| Plastic parts kit..... | 21 |
| Tensioning bolt kit..... | 21 |
| Lower breaker part kit..... | 22 |
| Dimensions..... | 23 |

General information

This spare parts list applies to the following:

| Part number | Description |
|--------------|-------------------------------------|
| 3363 1140 50 | Hydraulic breaker MB 1000 Essential |

Use only authorized parts. Any damage or malfunction caused by the use of unauthorized parts is not covered by Warranty or Product Liability. Any unauthorized use or copying of the contents or any part thereof is prohibited. This applies in particular to trademarks, model denominations, part numbers, and drawings.

Instructions for use

This spare parts list contains no safety regulations and is merely intended to assist in the ordering of spare parts.

For information on operating, servicing, or repairing, the relevant Safety and operating instructions must be consulted at all costs.

Please observe the safety instructions listed in the relevant Safety and operating instructions!

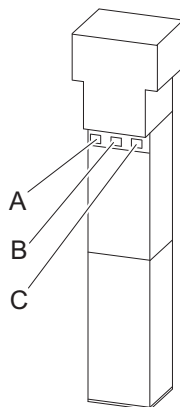
Instructions of ordering

It is essential to indicate the serial number of the hydraulic attachment when ordering spare parts!

Please note the full identification number of your hydraulic attachment. This code can be found on the cylinder.

Determine the quantity of individual parts which are required and need to be ordered. The order must indicate the following details:

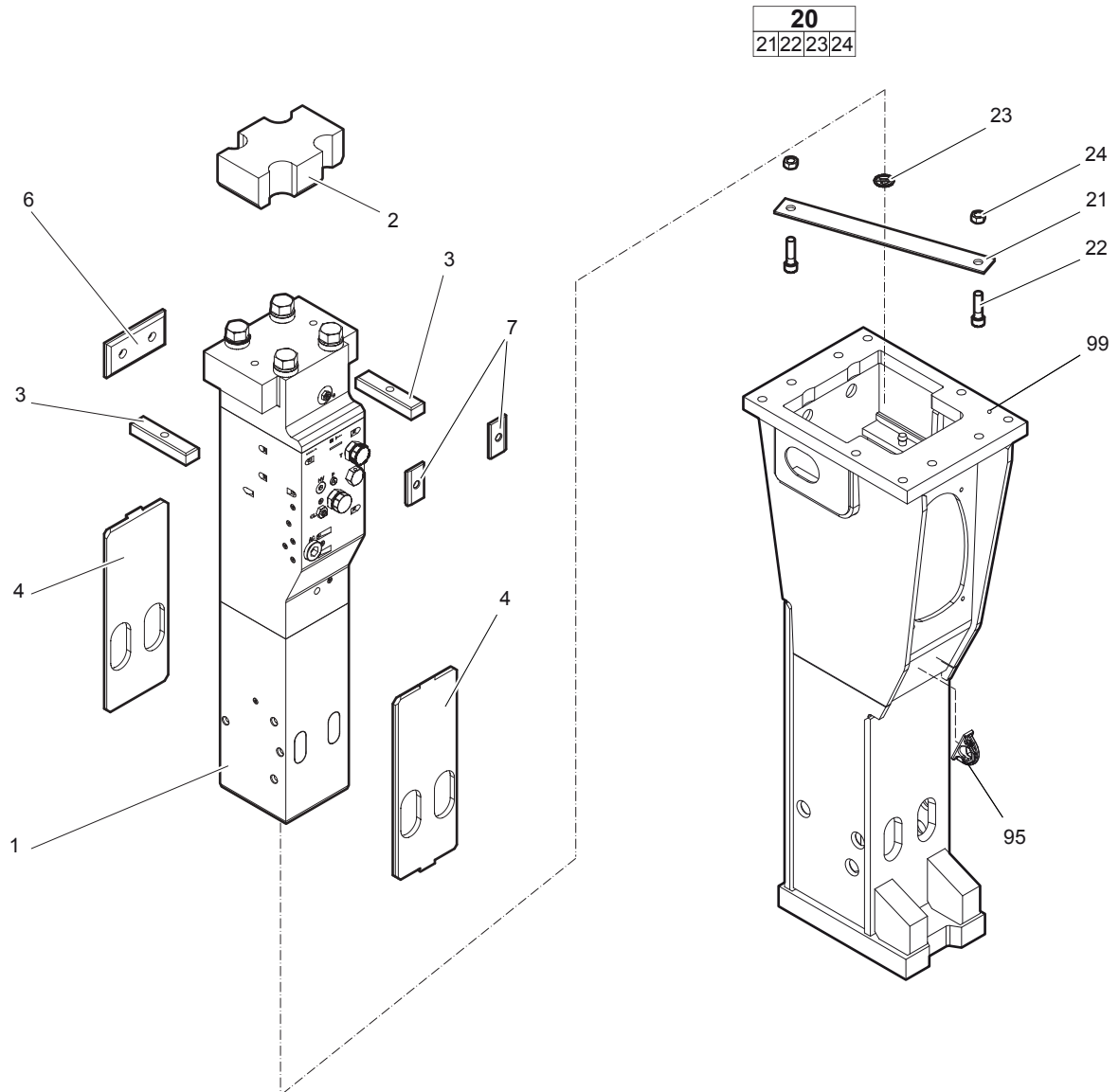
- full identification code of the hydraulic attachment
- required quantity
- part number
- description



- A. Cylinder number
- B. Type
- C. Serial number

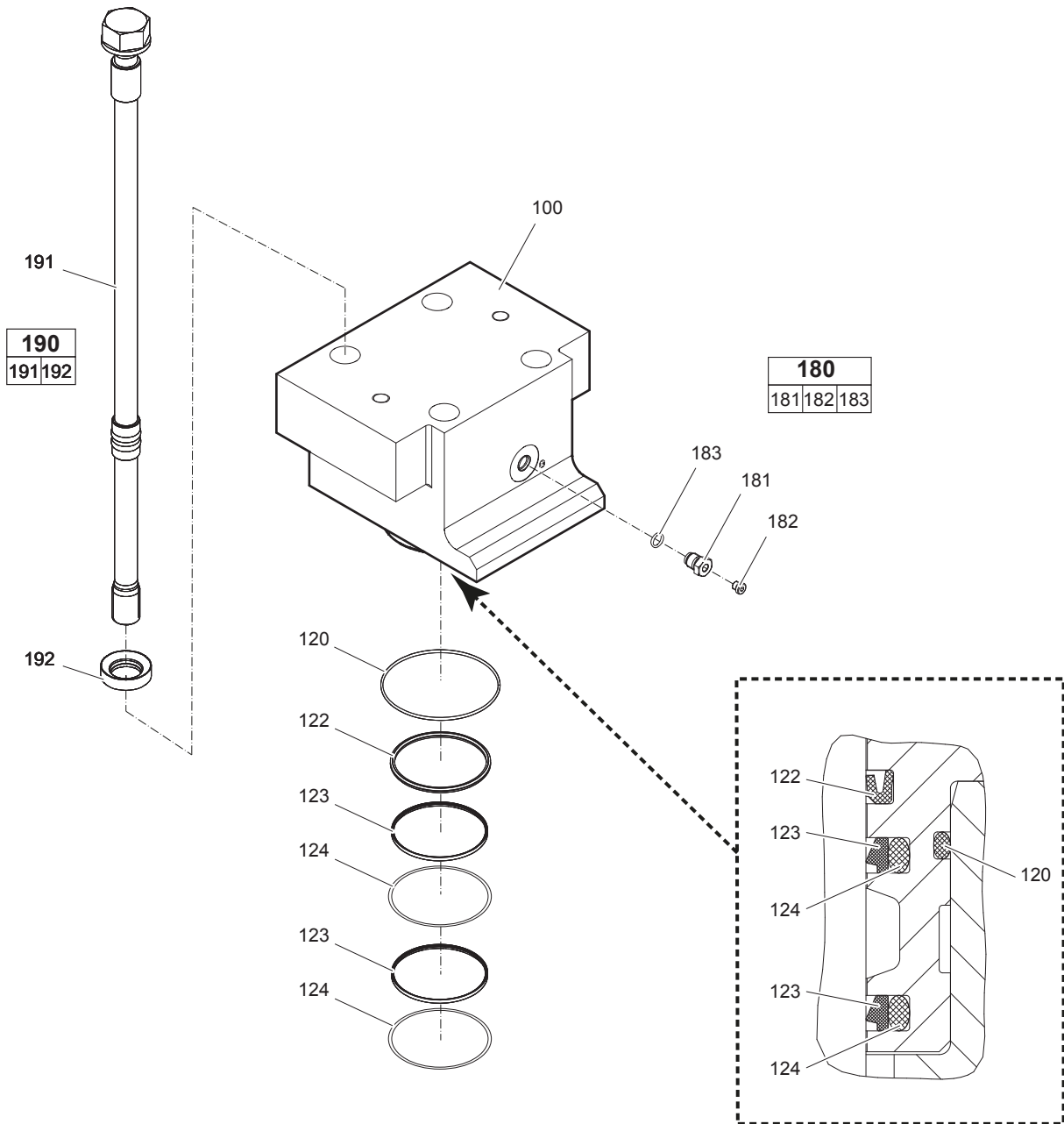
Spare parts list

Hydraulic breaker



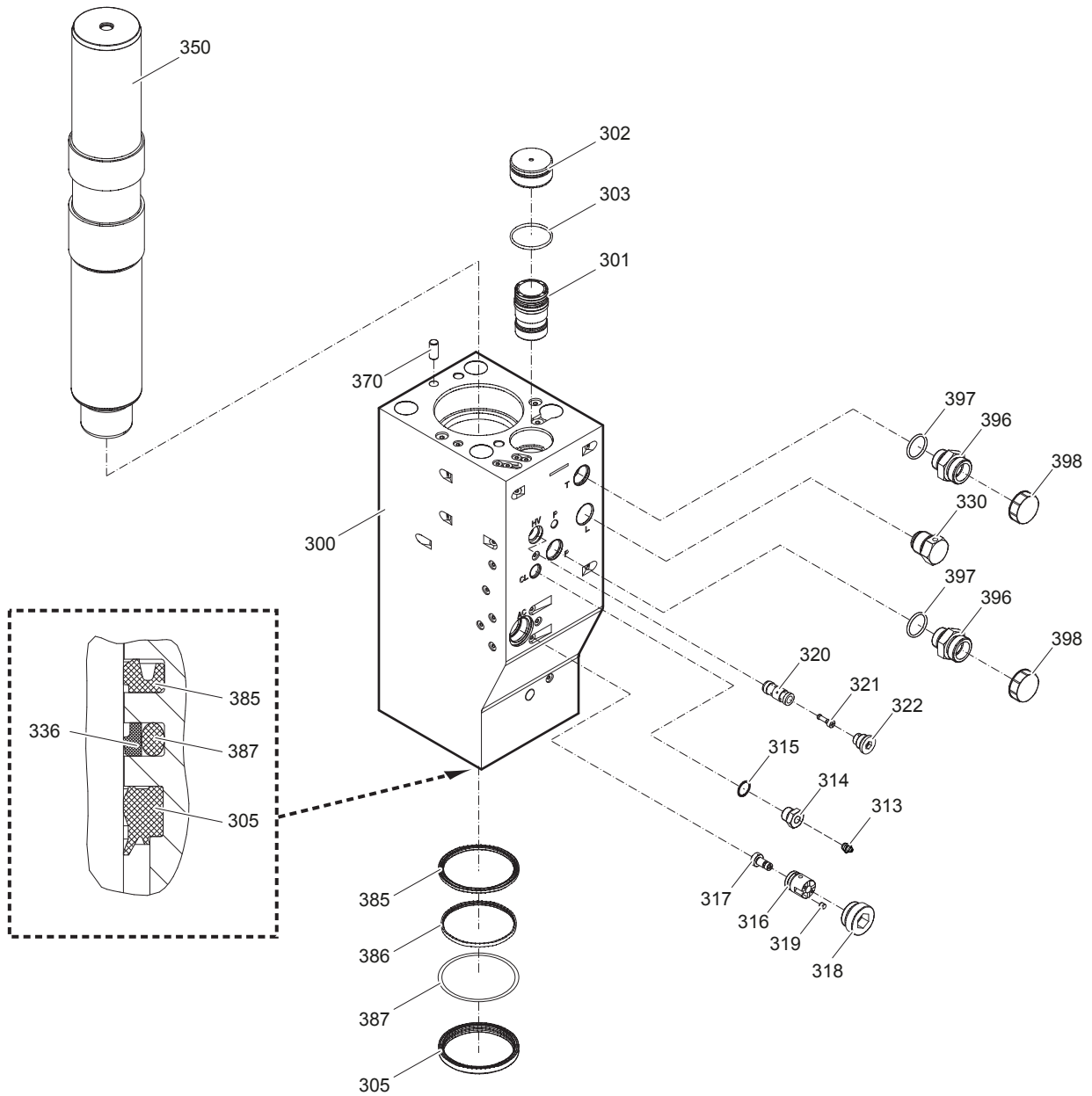
| No. | Description | Remark | Quantity | Part number |
|------------------|---|--|----------|--------------|
| 1 | Percussion unit | see separate chapter | 1 | - |
| 2 | Elastic pad | | 1 | 3363 0828 99 |
| 3 | Shock absorber | | 2 | 3361 8522 37 |
| 4 | Guide plate | | 2 | 3363 0844 33 |
| 6 | Guide plate | | 1 | 3363 0842 31 |
| 7 | Guide plate | | 2 | 3363 0828 97 |
| 20(21-24) | Transport safety device complete | | 1 | 3363 0837 31 |
| 21 | Transport safety device | | 1 | - |
| 22 | Allen screw | | 2 | 3360 0267 86 |
| 23 | Label transport safety device | | 1 | 3363 0918 72 |
| 24 | Nut | | 2 | 3360 1032 51 |
| 95 | Lifting eye | professional welding process necessary | 1 | 3363 1119 93 |
| 99 | Breaker box | | 1 | 3363 0988 02 |

Percussion unit part 1: cylinder cover



| No. | Description | Remark | Quantity | Part number |
|---------------------|---------------------------------|--------|----------|--------------|
| 100 | Cylinder cover | | 1 | 3363 0894 16 |
| 120 | O-ring | | 1 | 3360 3143 76 |
| 122 | Seal | | 1 | 3363 0852 76 |
| 123 | Seal | | 2 | 3363 0852 38 |
| 124 | O-ring | | 2 | 3360 3280 53 |
| 180(181-183) | Filling valve complete | | 1 | 3363 0872 86 |
| 181 | Filling valve | | 1 | - |
| 182 | Threaded plug | | 1 | 3360 4784 26 |
| 183 | O-ring | | 1 | 3360 1751 25 |
| 190(191-192) | Tensioning bolt complete | | 4 | 3363 0895 68 |
| 191 | Tensioning bolt | | 1 | 3363 0901 15 |
| 192 | Washer | | 1 | 3363 0936 45 |

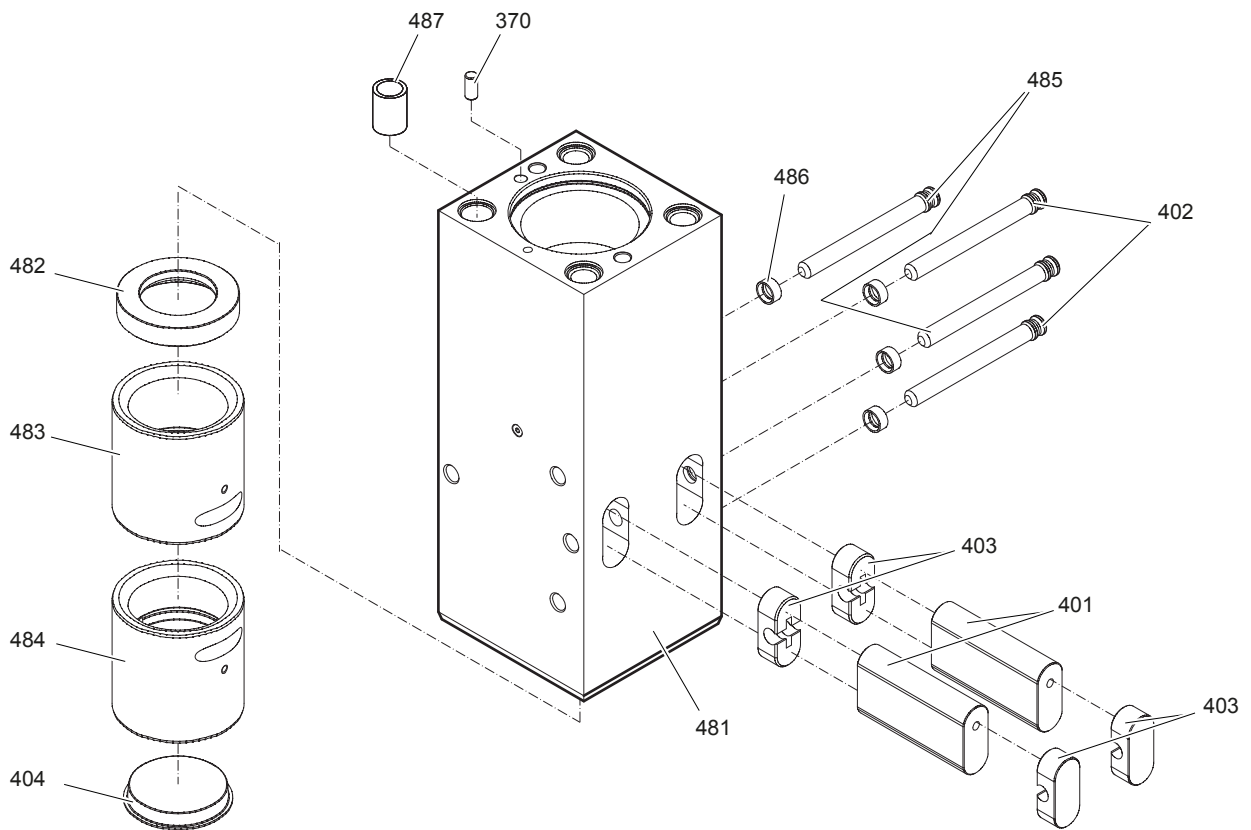
Percussion unit part 2: cylinder



| No. | Description | Remark | Quantity | Part number |
|-----|--------------------|--------------|----------|--------------|
| 300 | Cylinder | | 1 | 3363 0894 11 |
| 301 | Main control valve | | 1 | 3363 0337 51 |
| 302 | Cover | | 1 | 3363 0333 33 |
| 303 | O-ring | | 1 | 3363 0342 50 |
| 305 | Wiper | | 1 | 3363 0852 42 |
| 313 | Grease nipple | | 1 | 3360 4337 74 |
| 314 | Connecting screw | | 1 | 3361 8546 57 |
| 315 | O-ring | | 1 | 3360 4781 71 |
| 316 | Valve bushing | AutoControl | 1 | 3363 0678 03 |
| 317 | Valve piston | AutoControl | 1 | 3363 0678 05 |
| 318 | Threaded plug | | 1 | 3363 0695 01 |
| 319 | Pin | AutoControl | 1 | 3363 0661 97 |
| 320 | Valve bushing | AutoControl | 1 | 3363 0330 59 |
| 321 | Valve piston | AutoControl | 1 | 3363 1053 05 |
| 322 | Threaded plug | | 1 | 3363 0337 49 |
| 330 | Non-return valve | | 1 | 3361 8545 11 |
| 350 | Percussion piston | | 1 | 3363 0894 15 |
| 370 | Lock pin | | 1 | 3360 1067 84 |
| 385 | Seal | | 1 | 3363 0852 39 |
| 386 | Seal | | 1 | 3360 9209 30 |
| 387 | O-ring | | 1 | 3360 9209 32 |
| 396 | Fitting | with no. 397 | 2 | 3360 9956 65 |
| 397 | O-ring | | 2 | 3360 3145 51 |
| 398 | Protective cap | | 2 | 3361 3534 88 |

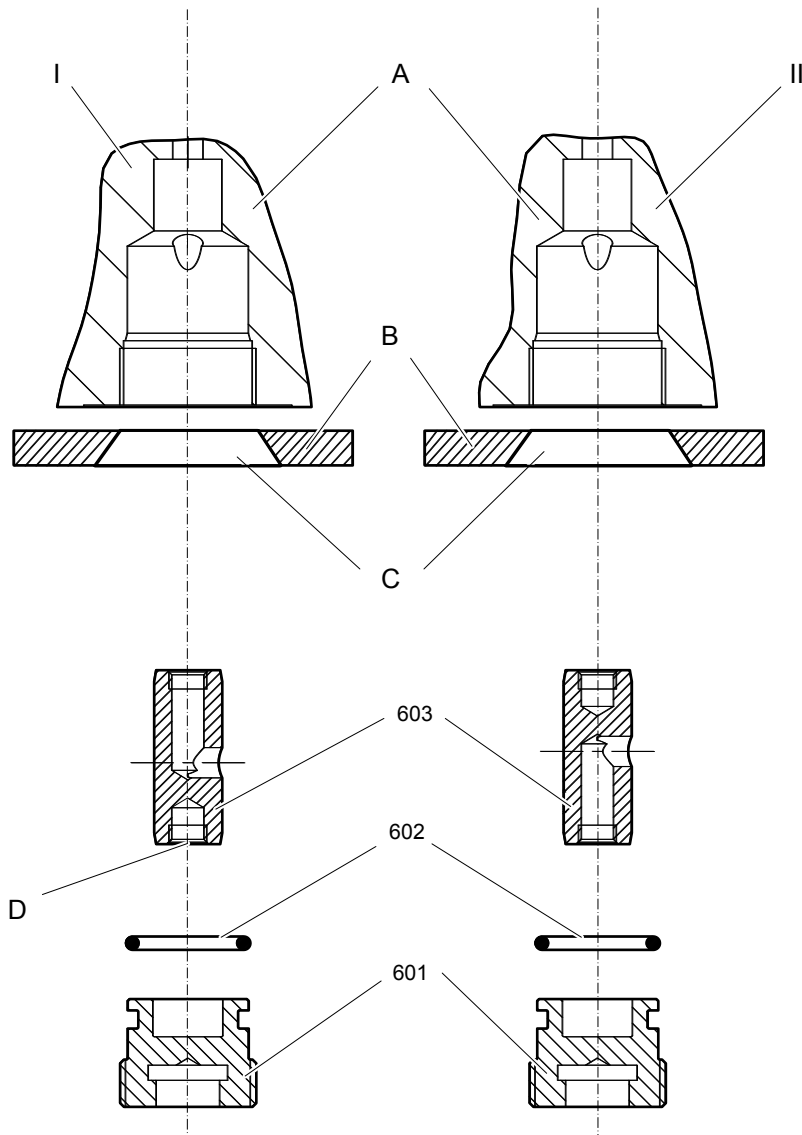
Percussion unit part 3: lower breaker part

| 480 | | | | | | |
|-----|-----|-----|-----|-----|-----|-----|
| 481 | 482 | 483 | 484 | 485 | 486 | 487 |



| No. | Description | Remark | Quantity | Part number |
|---------------------|------------------------------------|---|----------|--------------|
| 370 | Lock pin | | 1 | 3360 1067 84 |
| 401 | Retainer bar | | 2 | 3363 0840 75 |
| 402 | Bolt | | 2 | 3363 0851 10 |
| 403 | Plug | | 4 | 3362 2629 25 |
| 404 | Protective cap | | 1 | 3363 0317 14 |
| 480(481-487) | Lower breaker part complete | | 1 | 3363 0894 02 |
| 481 | Lower breaker part | | 1 | - |
| 482 | Impact ring | | 1 | 3363 0840 77 |
| 483 | Wear bush | | 1 | 3363 0840 71 |
| 484 | Wear bush | steel bronze see chapter <i>Optional parts</i> | 1 | 3363 0905 03 |
| 485 | Bolt | | 2 | 3363 0851 10 |
| 486 | Locking bush | | 4 | 3363 0330 43 |
| 487 | Threaded insert | | 4 | 3363 0894 19 |

StartSelect - AutoStart or AutoStop



| No. | Description | Remark | Quantity | Part number |
|-----|-------------|-------------|----------|--------------|
| 601 | Plug | | 1 | 3363 0825 93 |
| 602 | O-ring | | 1 | 3363 0832 45 |
| 603 | Valve | StartSelect | 1 | 3363 0825 05 |

I = AutoStop setting

II = AutoStart setting (standard setting on delivery)

A. Port bore in cylinder

B. Wall of breaker box

C. Plug of breaker box

D. M 10 thread (both ends) for mounting

The position of the StartSelect unit is shown on the percussion unit illustrations.

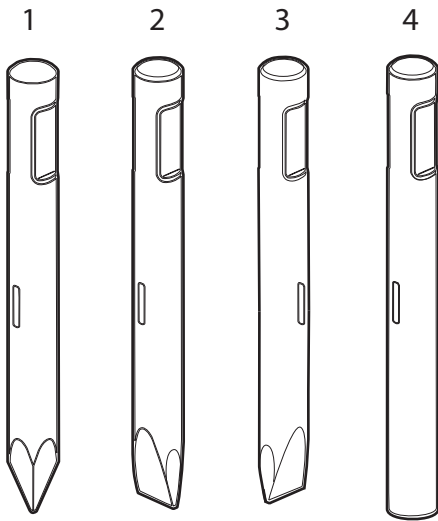
Optional parts

| No. | Description | Remark | Quantity | Part number |
|-----|-------------|--------|----------|--------------|
| 484 | Wear bush | bronze | 1 | 3363 0905 01 |

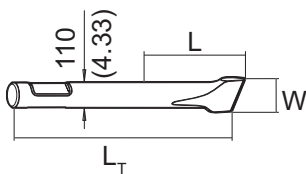
Tightening torques

| No. | Description | Tightening torque | Remark |
|-----|------------------|-------------------|--|
| 22 | Allen screw | 240 Nm | Allen key size 17 |
| 24 | Nut | 240 Nm | Socket spanner size 30 |
| 35 | Allen screw | 10 Nm | Allen key size 10 |
| 181 | Filling valve | 130 Nm | Socket spanner size 22 |
| 182 | Threaded plug | 20 Nm | Allen key size 5 |
| 191 | Tensioning bolt | | Torque wrench or Power wrench size 50 1. Pretighten the tensioning bolts to 200 Nm, proceeding in a crosswise fashion, 2. then tighten each tensioning bolt through 120° (2 sides of hexagonal head) in a crosswise fashion, 3. finally tighten each tensioning bolt again through 120° (2 sides of hexagonal head) in a crosswise fashion. |
| 314 | Threaded plug | 300 Nm | Allen key size 22 |
| 318 | Threaded plug | 350 Nm | Allen key size 24 |
| 322 | Threaded plug | 100 Nm | Allen key size 12 |
| 330 | Non-return valve | 200 Nm | Socket spanner size 41 |
| 396 | Fitting | 330 Nm | Jaw spanner size 46/50 |

Working tools



MB 1000



Metric

| No. | Description | Remark | W (mm) | L (mm) | L _T (mm) | Wt (kg) | Part number |
|-----|-------------------|-------------|--------|--------|---------------------|---------|--------------|
| 1 | Moil point | ClassicLine | | 570 | 1100 | 70.0 | 3363 0848 77 |
| 1 | Moil point | SilverLine | | 570 | 1100 | 74.0 | 3363 0840 79 |
| 2 | Chisel (cross) | ClassicLine | 110 | 570 | 1100 | 72.0 | 3363 0848 87 |
| 2 | Chisel (cross) | SilverLine | 110 | 570 | 1100 | 76.0 | 3363 0840 83 |
| 3 | Chisel (parallel) | ClassicLine | 110 | 570 | 1100 | 72.0 | 3363 0942 51 |
| 4 | Blunt tool | ClassicLine | | 570 | 1100 | 72.0 | 3363 0901 13 |
| 4 | Blunt tool | SilverLine | | 570 | 1100 | 79.0 | 3363 0840 81 |

Imperial

| No. | Description | Remark | W (in.) | L (in.) | L _T (in.) | Wt (lb) | Part number |
|-----|-------------------|-------------|---------|---------|----------------------|---------|--------------|
| 1 | Moil point | ClassicLine | | 22.44 | 43.31 | 154.3 | 3363 0848 77 |
| 1 | Moil point | SilverLine | | 22.44 | 43.31 | 163.1 | 3363 0840 79 |
| 2 | Chisel (cross) | ClassicLine | 4.33 | 22.44 | 43.31 | 158.7 | 3363 0848 87 |
| 2 | Chisel (cross) | SilverLine | 4.33 | 22.44 | 43.31 | 167.5 | 3363 0840 83 |
| 3 | Chisel (parallel) | ClassicLine | 4.33 | 22.44 | 43.31 | 158.7 | 3363 0942 51 |
| 4 | Blunt tool | ClassicLine | | 22.44 | 43.31 | 158.7 | 3363 0901 13 |
| 4 | Blunt tool | SilverLine | | 22.44 | 43.31 | 174.2 | 3363 0840 81 |

Accessories

Hydraulic hoses

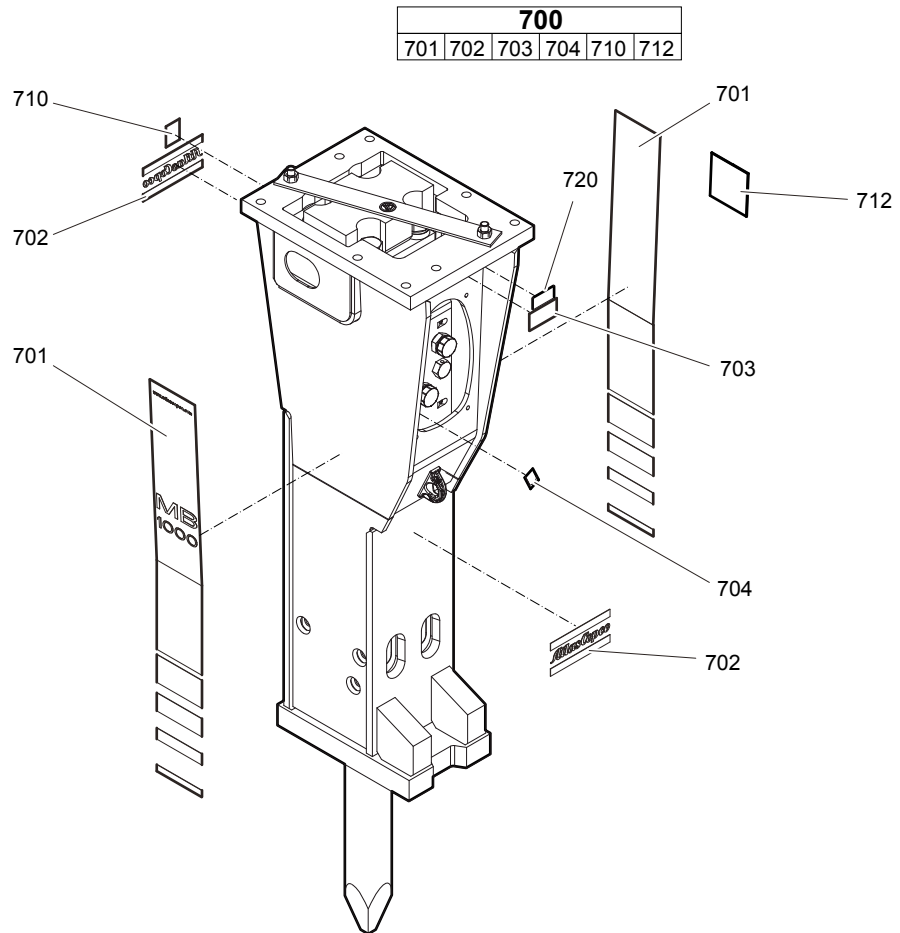
| Description | Remark | Quantity | Part number |
|-------------|---|----------|--------------|
| Hose | I.D. 25 (1"), both ends M 42x2 conical seal 24°, length 2300 mm (91 in.) | 2 | 3360 9923 40 |
| Hose | I.D. 25 (1"), both ends M 42x2 conical seal 24°, length 2800 mm (110 in.) | 2 | 3361 8538 59 |

Optional equipment

| Description | Remark | Quantity | Part number |
|--|-------------------------------|----------|--------------|
| Chisel paste | 12 x 500 g (1.1 lbs) | 1 | 3363 0912 00 |
| Grease gun gun for 500 g cartridge | | 1 | 3363 0345 67 |
| Grease nipple | | 1 | 3363 0433 77 |
| Service box no. I with nitrogen cylinder | 2 l 0.43 gal (0.53 US gal) | 1 | 3363 0898 44 |
| Service box no. III without nitrogen cylinder | | 1 | 3363 0949 40 |
| Test gauge lower wear bush | | 1 | 3363 0905 21 |
| Inside callipers upper wear bush | | 1 | 3363 0949 52 |
| Adapter plate matching the carrier Consult the Atlas Copco Customer Center/Dealer in your area. | | 1 | - |
| Base plate with threaded inserts | | 1 | 3363 0997 97 |
| Bolt kit | | 1 | 3363 0945 37 |
| Base plate with through borings | | 1 | 3363 1006 95 |
| Bolt kit | | 1 | 3363 0945 74 |
| Allen key | 19 mm for bolt kit | 1 | 3360 2092 53 |
| Adapter kit for underwater applications | | 1 | 3363 0905 31 |
| Piston retainer | | 1 | 3363 0929 75 |

Kits

Label kit



| No. | Description | Remark | Quantity | Part number |
|---------------------|----------------------------|--|----------|--------------|
| 700(701-712) | Label kit MB 1000 E | | 1 | 3363 1140 65 |
| 701 | Product label | "MB 1000" | 2 | - |
| 702 | Product label | "Atlas Copco" | 2 | - |
| 703 | Label gas pressure | | 1 | - |
| 704 | Lubricating symbol | | 1 | - |
| 710 | Sound power label | | 1 | - |
| 712 | Label AEM | | 1 | - |
| 720 | Name plate | Consult the Atlas Copco Customer Center/Dealer in your area. | 1 | - |

Seal kit

| No. | Description | Remark | Quantity | Part number |
|-----|-----------------|--------|----------|--------------|
| | Seal kit | | 1 | 3363 0894 17 |
| 120 | O-ring | | 1 | 3360 3143 76 |
| 122 | Seal | | 1 | 3363 0852 76 |
| 123 | Seal | | 2 | 3363 0852 38 |
| 124 | O-ring | | 2 | 3363 3280 53 |
| 182 | Threaded plug | | 1 | 3360 4784 26 |
| 183 | O-ring | | 1 | 3360 1751 25 |
| 303 | O-ring | | 1 | 3363 0342 50 |
| 305 | Wiper | | 1 | 3363 0852 42 |
| 315 | O-ring | | 1 | 3360 4781 71 |
| 385 | Seal | | 1 | 3363 0852 39 |
| 386 | Seal | | 1 | 3360 9209 30 |
| 387 | O-ring | | 1 | 3360 9209 32 |
| 397 | O-ring | | 2 | 3360 3145 51 |

Plastic parts kit

| No. | Description | Remark | Quantity | Part number |
|-----|--------------------------|--------|----------|--------------|
| | Plastic parts kit | | 1 | 3363 0879 19 |
| 2 | Elastic pad | | 1 | 3363 0828 99 |
| 3 | Shock absorber | | 2 | 3361 8522 37 |
| 4 | Guide plate | | 2 | 3363 0844 33 |
| 6 | Guide plate | | 1 | 3363 0842 31 |
| 7 | Guide plate | | 2 | 3363 0828 97 |

Tensioning bolt kit

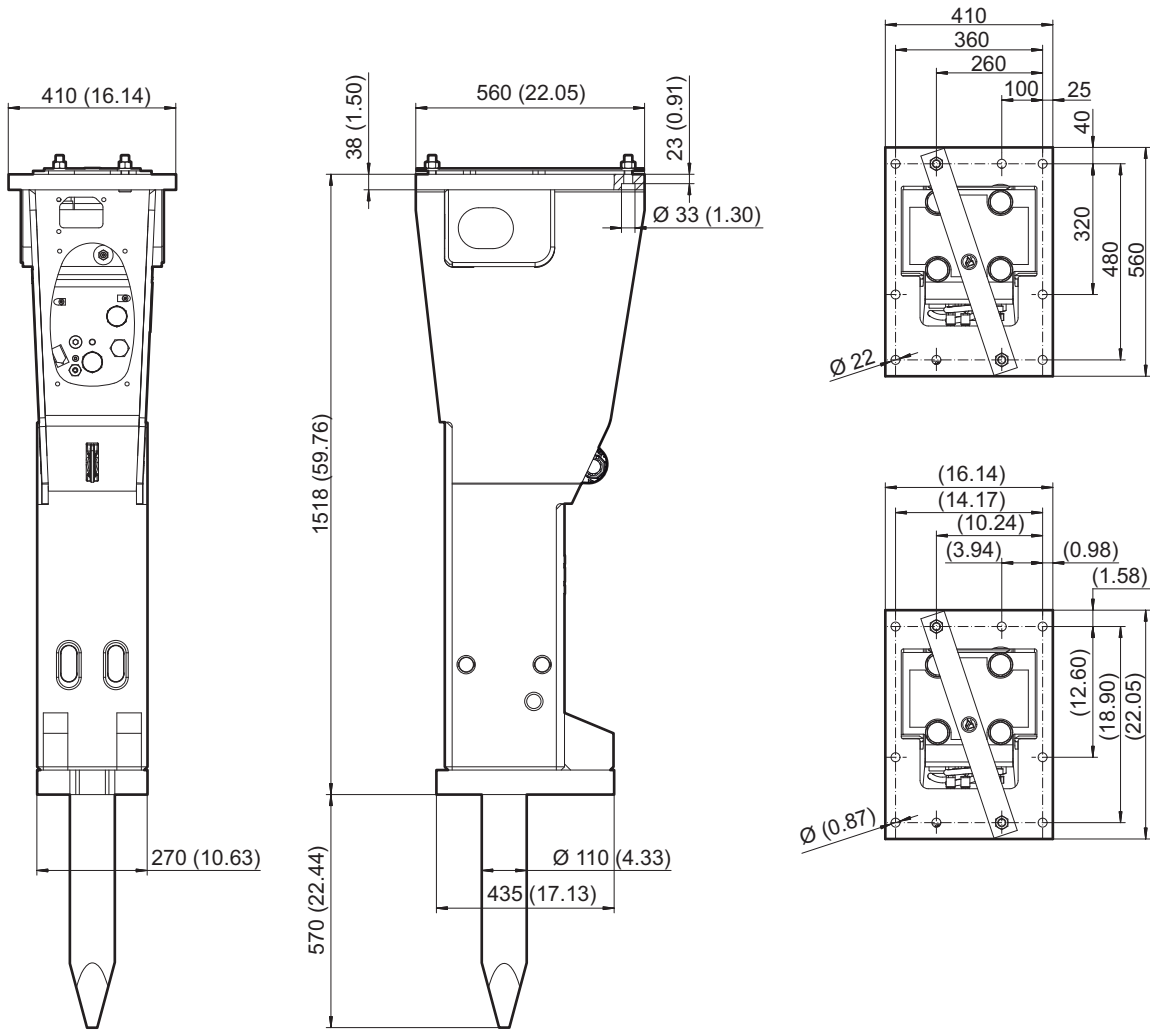
| No. | Description | Remark | Quantity | Part number |
|-----|----------------------------|--------|----------|--------------|
| | Tensioning bolt kit | | 1 | 3363 0943 48 |
| 191 | Tensioning bolt | | 2 | 3363 0901 15 |
| 192 | Washer | | 2 | 3363 0936 45 |
| 487 | Threaded insert | | 2 | 3363 0894 19 |
| | Anti-Seize 120 g | | 1 | 3363 0943 00 |

Lower breaker part kit

| No. | Description | Remark | Quantity | Part number |
|-----|-------------------------------|--------|----------|--------------|
| | Lower breaker part kit | | 1 | 3363 0943 67 |
| 401 | Retainer bar | | 2 | 3363 0840 75 |
| 402 | Bolt | | 2 | 3363 0851 10 |
| 403 | Plug | | 4 | 3362 2629 25 |
| 482 | Impact ring | | 1 | 3363 0840 77 |
| 483 | Wear bush | | 1 | 3363 0840 71 |
| 484 | Wear bush | steel | 1 | 3363 0905 03 |
| 485 | Bolt | | 2 | 3363 0851 10 |
| 486 | Locking bush | | 4 | 3363 0330 43 |
| | Chisel paste | | 1 | 3315 0381 00 |
| | Test gauge | | 1 | 3363 0905 21 |

Dimensions

mm (inch)





Any unauthorized use or copying of the contents or any part thereof is prohibited.
This applies in particular to trademarks, model denominations, part numbers, and drawings.

© 2013 Atlas Copco Construction Tools GmbH | No. 3390 7610 01 | 2013-04-26

www.atlascopco.com