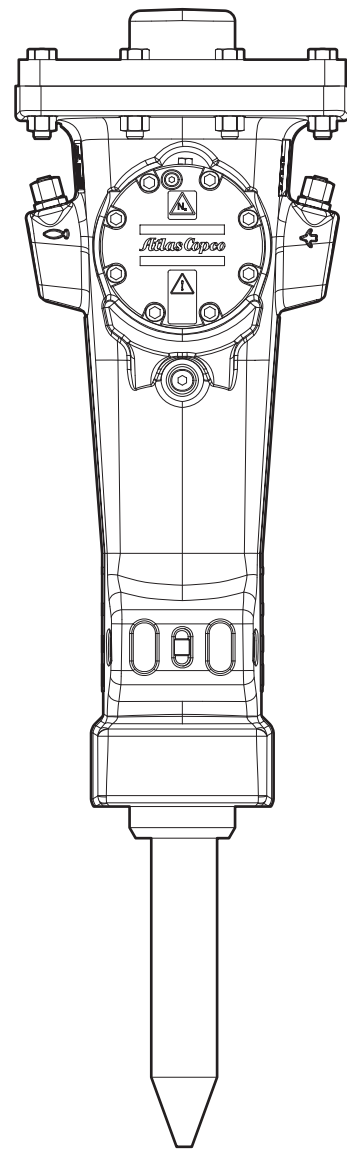


Spare parts list Hydraulic breakers



Contents

| | |
|-------------------------------------|----|
| General information | 5 |
| Spare parts list | 6 |
| Optional parts | 10 |
| Bushing oversize, complete..... | 10 |
| Restrictor, complete..... | 12 |
| Tightening torque | 14 |
| Working tools | 15 |
| Accessories | 17 |
| Optional equipment | 17 |
| Hydraulic hoses | 17 |
| Kits | 18 |
| Label kit | 18 |
| Seal kit | 19 |
| Lower hammer part kit | 20 |
| Accumulator repair kit | 21 |
| Dimensions | 22 |

General information

This spare parts list applies to the following:

| Part number | Description |
|--------------|--------------------------|
| 8460 0300 50 | Hydraulic breaker SB 202 |

Use only authorized parts. Any damage or malfunction caused by the use of unauthorized parts is not covered by Warranty or Product Liability. Any unauthorized use or copying of the contents or any part thereof is prohibited. This applies in particular to trademarks, model denominations, part numbers, and drawings.

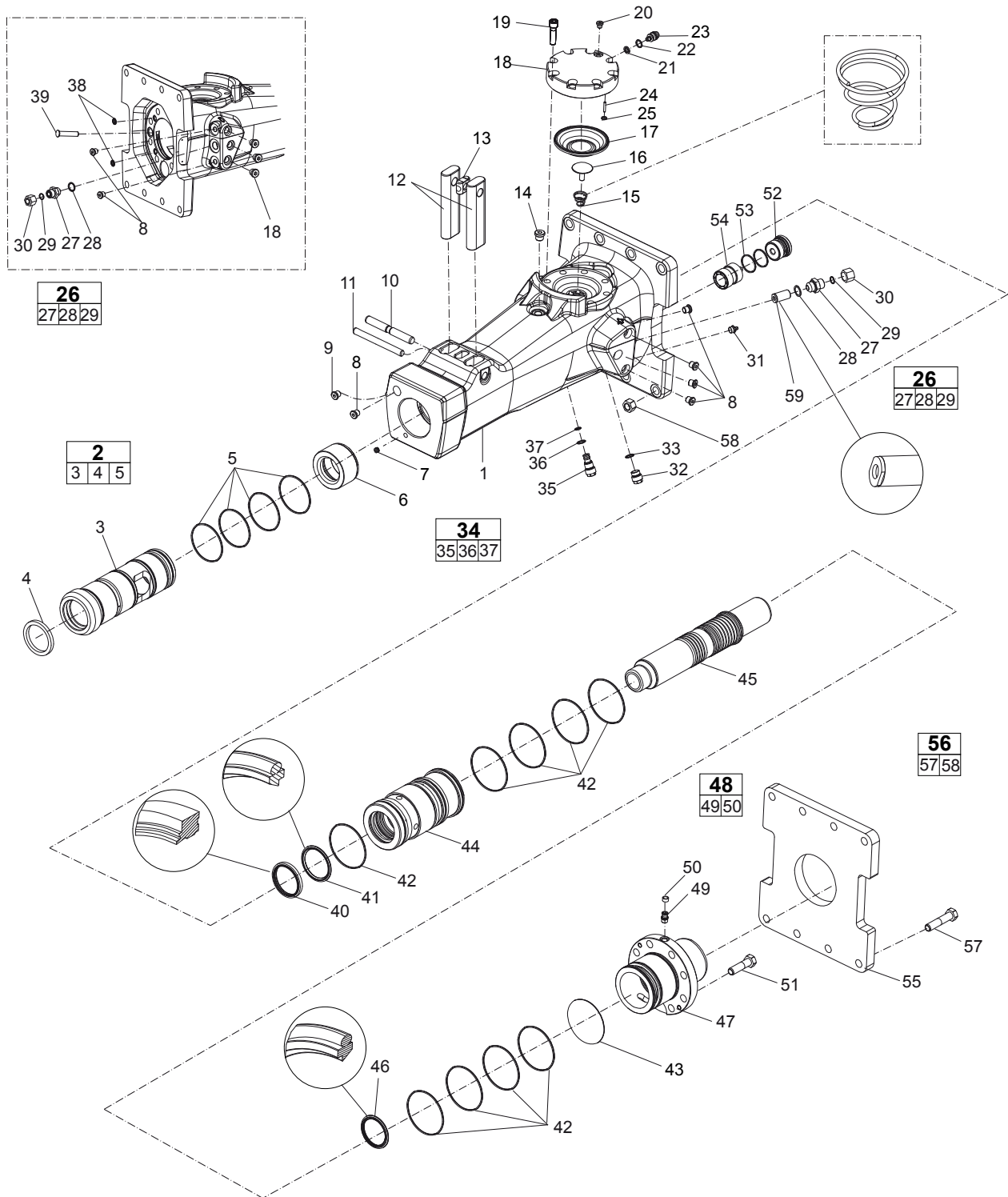
Instructions for use

This spare parts list contains no safety regulations and is merely intended to assist in the ordering of spare parts.

For information about operating, servicing, or repairing, the relevant Safety and operating instructions must be consulted at all costs.

Please observe the safety instructions listed in the relevant Safety and operating instructions!

Spare parts list

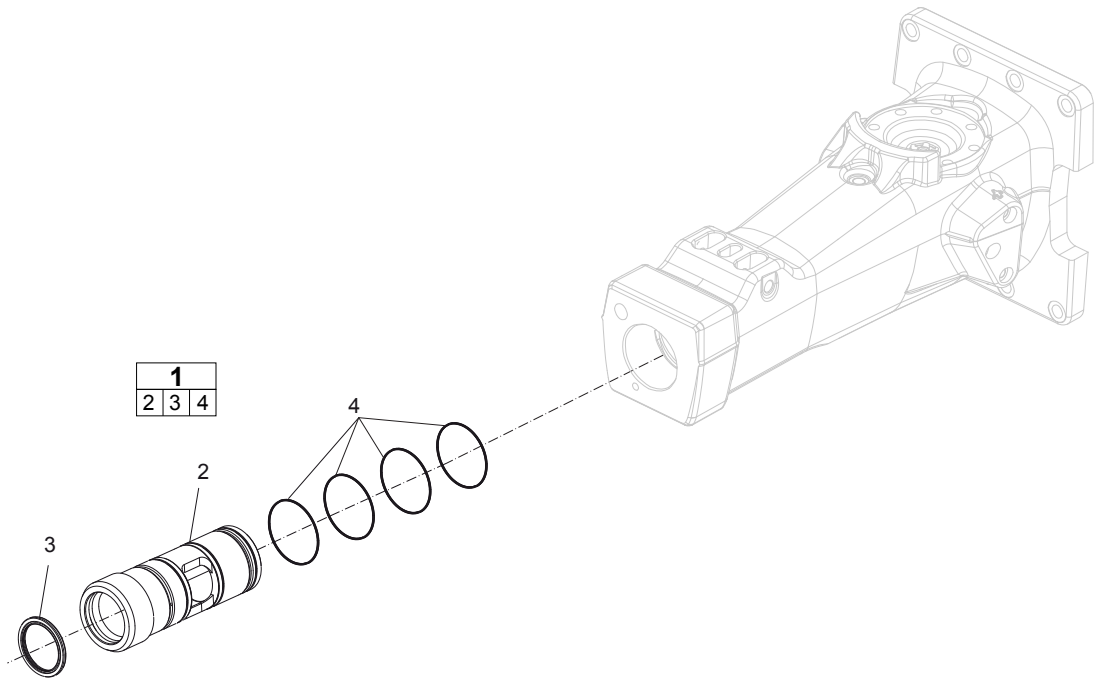


| No. | Description | Remark | Quantity | Part number |
|------------------|--|--|----------|--------------|
| 1 | Breaker body | | 1 | - |
| 2(3-5) | Bushing standard, complete | For more bushings, see section "Bushing oversize, complete". | 1 | 3315 3540 80 |
| 3 | Bushing | Ø90 mm Ø3.54 in. | 1 | - |
| 4 | Scraper ring | | 1 | 3315 3562 00 |
| 5 | O-ring | 80 x 3 mm 3.15 x 0.12 in. (90 shore) | 4 | 0663 2104 98 |
| 6 | Stop ring | | 1 | 3315 2778 00 |
| 7 | Plug | | 1 | 0686 1000 09 |
| 8 | Plug | VSTI R ¼ - ED | 7 | 0686 6442 07 |
| 9 | Water nozzle, option | | 1 | 3315 3952 00 |
| 10 | Lock pin | | 1 | 3315 1350 00 |
| 11 | Spring pin, option | | 1 | 0108 1691 27 |
| 12 | Tool retainer | | 2 | 3315 1349 00 |
| 13 | Lock buffer | | 1 | 3315 1419 00 |
| 14 | Hexagon socket plug | VSTI R ¾ - ED | 4 | 0686 3718 01 |
| 15 | Coil spring | | 1 | 3315 2933 00 |
| 16 | Diaphragm support | | 1 | 3315 2889 00 |
| 17 | Diaphragm | | 1 | 3315 2890 00 |
| 18 | Accumulator house | | 1 | 3315 2824 00 |
| 19 | Hexagon socket screw | Screw with extra high fatigue strength. | 8 | 0211 1965 34 |
| 20 | Plug | VSTI R 1/8 - ED | 1 | 0686 3718 05 |
| 21 | Seal ring | | 1 | 3315 3290 02 |
| 22 | O-ring | 13.3 x 2.4 mm 0.52 x 0.09 in. (70 shore) | 1 | 0663 2120 00 |
| 23 | Charge valve | | 1 | 3315 3660 00 |
| 24 | Parallel pin | D4 X 25 mm | 1 | 0101 4140 00 |
| 25 | O-ring | 7.3 x 2.4 mm 0.29 x 0.09 in. (90 shore) | 1 | 0663 2114 00 |
| 26(27-29) | Nipple, complete | There are two "Nipple, complete" on the machine. | 1 | 0570 7000 03 |
| 27 | Nipple | | 1 | - |
| 28 | Seal ring | | 1 | 0664 0000 03 |
| 29 | O-ring | 12.42 x 1.78 mm 0.49 x 0.07 in. (90 shore) | 1 | 0663 9055 01 |
| 30 | Cap | | 2 | 0570 7000 19 |
| 31 | Grease nipple | ISO 7-R ¼ | 1 | 0544 2153 00 |
| 32 | Plug | Standard For restrictors instead of the plug, see section "Restrictor, complete". | 1 | 3315 3052 00 |
| 33 | O-ring | 15.6 x 1.78 mm 0.61 x 0.07 in. (70 shore) | 1 | 0663 9032 01 |
| 34(35-37) | Pressure relief valve, complete | | 1 | 3315 3349 00 |
| 35 | Pressure relief valve | | 1 | - |
| 36 | O-ring | 15.6 x 1.78 mm 0.61 x 0.07 in. (70 shore) | 1 | 0663 9032 01 |
| 37 | O-ring | 10.82 x 1.78 mm 0.43 x 0.07 in. (90 shore) | 1 | 0663 9054 01 |
| 38 | Seal | SCR 10 x 16 x 2.4 mm | 2 | 0665 0900 14 |
| 39 | Plug | | 1 | 3315 3011 00 |
| 40 | Wiper | | 1 | 0665 9099 56 |
| 41 | Piston rod seal | | 1 | 0665 0701 30 |
| 42 | O-ring | 99.5 x 3 mm 3.92 x 0.12 in. (90 shore) | 9 | 0663 2104 94 |
| 43 | O-ring | 101.34 x 1.78 mm 3.99 x 0.07 in. (70 shore) | 1 | 0663 2101 73 |

| No. | Description | Remark | Quantity | Part number |
|------------------|--------------------------------------|---|----------|--------------|
| 44 | Liner | | 1 | 3315 2774 00 |
| 45 | Piston | | 1 | 3315 2773 00 |
| 46 | Piston rod seal | | 1 | 0665 0701 29 |
| 47 | Back head | | 1 | 3315 2931 00 |
| 48(49-50) | Check valve, complete | | 1 | 3315 2448 81 |
| 49 | Check valve | | 1 | - |
| 50 | Valve rubber | | 1 | 3315 2808 00 |
| 51 | Hexagon head screw | M16 x 60 mm 8.8 fzb | 8 | 0147 1481 03 |
| 52 | Slide cover | | 1 | 3315 3598 00 |
| 53 | O-ring | 36.17 x 2.62 mm 1.42 x 0.10 in. (Polyuretan) | 2 | 0663 2114 44 |
| 54 | Control valve | | 1 | 3315 2776 00 |
| 55 | Base plate, option | | 1 | 3315 2951 00 |
| 56(57-58) | Set of eight screws, complete | | 1 | 3315 2964 90 |
| 57 | Screw | | 8 | - |
| 58 | Nut | M16 | 8 | - |
| 59 | Back pressure valve | | 1 | 3315 3040 80 |

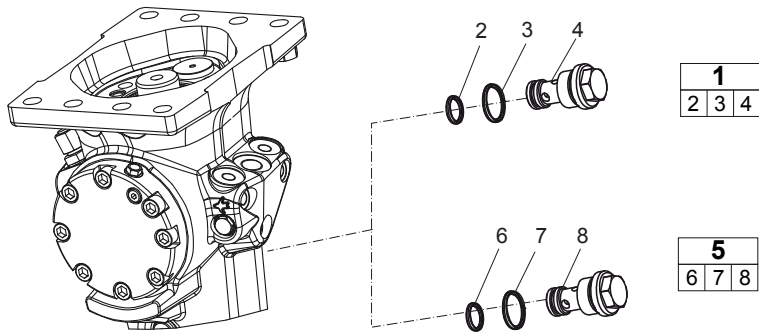
Optional parts

Bushing oversize, complete



| No. | Description | Remark | Quantity | Part number |
|--------|----------------------------|---|----------|--------------|
| 1(2-4) | Bushing oversize, complete | | 1 | 3315 2779 90 |
| 2 | Bushing | Ø91.5 mm Ø3.6 in. | 1 | - |
| 3 | Scraper ring | | 1 | 3315 2825 00 |
| 4 | O-ring | 79.5 x 3 mm 3.13 x 0.12 in. (90 shore) | 4 | 0663 6140 01 |

Restrictor, complete



| No. | Description | Remark | Quantity | Part number |
|---------------|-----------------------------|------------------------------------|----------|--------------|
| 1(2-4) | Restrictor, complete | | 1 | 3315 3695 45 |
| 2 | O-ring | 10.82 x 1.78 mm 0.43 x 0.07 in. | 1 | 0663 9054 01 |
| 3 | O-ring | 15.6 x 1.78 mm 0.61 x 0.07 in. | 1 | 0663 9032 01 |
| 4 | Restrictor | Ø 5.5 mm Ø0.22 in. | 1 | - |
| 5(6-8) | Restrictor, complete | | 1 | 3315 3695 55 |
| 6 | O-ring | 10.82 x 1.78 mm 0.43 x 0.07 in. | 1 | 0663 9054 01 |
| 7 | O-ring | 15.6 x 1.78 mm 0.61 x 0.07 in. | 1 | 0663 9032 01 |
| 8 | Restrictor | Ø 7 mm Ø0.28 in. | 1 | - |

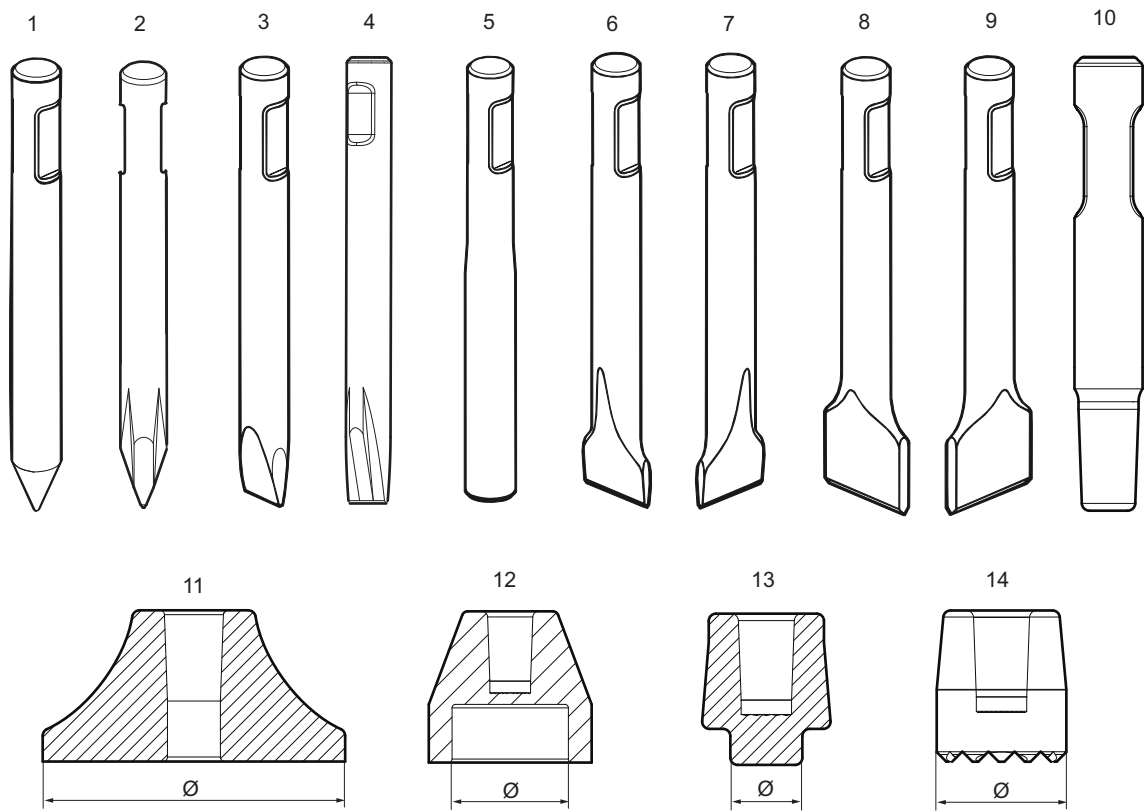
Tightening torque

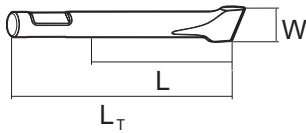
| No. | Description | Tightening torque | Remark |
|-----|-----------------------|-------------------|---------------|
| 8 | Plug | 30 Nm | LOCTITE® 243™ |
| 14 | Hexagon socket plug | 80 Nm | LOCTITE® 243™ |
| 19 | Hexagon socket screw | 120 Nm | Molycote® |
| 20 | Plug | 20 Nm | |
| 23 | Charge valve | 20 Nm | |
| 27 | Nipple | 210 Nm | |
| 31 | Grease nipple | 30 Nm | |
| 32 | Plug or restrictor | 80 Nm | |
| 35 | Pressure relief valve | 80 Nm | |
| 49 | Check valve | 30 Nm | LOCTITE® 243™ |
| 51 | Hexagon head screw | 180 Nm | Molycote® |
| 58 | Nut | 200 Nm | Molycote® |

LOCTITE is a registered trademark of Henkel Corporation. 243 is a trademark of Henkel Corporation.

Molycote is a registered trademark of Dow Corning Corporation.

Working tools





Metric

| No. | Description | W (mm) | L (mm) | L _T (mm) | Wt (kg) | Part number |
|-----|---------------------------|--------|--------|---------------------|---------|--------------|
| 1 | Moil point | - | 300 | 600 | 13 | 3083 3162 00 |
| | | - | 600 | 900 | 21 | 3083 3162 01 |
| 2 | Moil point (X-Profile) | - | 300 | 600 | 13 | 3363 0982 52 |
| 3 | Chisel (cross) | 65 | 300 | 600 | 14 | 3083 3161 00 |
| | | 65 | 600 | 900 | 22 | 3363 0983 75 |
| 4 | Chisel (X-profile) | 65 | 300 | 600 | 13 | 3363 0982 53 |
| 5 | Blunt tool | - | 300 | 600 | 15 | 3083 3411 00 |
| 6 | Wide chisel (cross) | 125 | 350 | 650 | 16 | 3083 3163 00 |
| 7 | Wide chisel (parallel) | 125 | 350 | 650 | 16 | 3083 3167 00 |
| 8 | Asphalt cutter (cross) | 145 | 350 | 650 | 16 | 3083 3409 46 |
| 9 | Asphalt cutter (parallel) | 145 | 350 | 650 | 16 | 3083 3409 47 |
| 10 | Shaft | - | - | 600 | 21 | 3315 3702 00 |
| 11 | Tamping pad (square) | Ø300 | - | - | 33 | 3315 3709 00 |
| 12 | Post driver pad (round) | Ø150 | - | - | 21 | 3315 3717 00 |
| 13 | Pile driver pad (round) | Ø100 | - | - | 9 | 3315 3723 00 |
| 14 | Bushing pad (round) | Ø130 | - | - | 9.8 | 3315 3730 00 |

Imperial

| No. | Description | W (in.) | L (in.) | L _T (in.) | Wt (lb) | Part number |
|-----|---------------------------|---------|---------|----------------------|---------|--------------|
| 1 | Moil point | - | 11.81 | 23.62 | 28.66 | 3083 3162 00 |
| | | - | 23.62 | 35.43 | 46.30 | 3083 3162 01 |
| 2 | Moil point (X-Profile) | - | 11.81 | 23.62 | 28.66 | 3363 0982 52 |
| 3 | Chisel (cross) | 2.56 | 11.81 | 23.62 | 30.86 | 3083 3161 00 |
| | | 2.56 | 23.62 | 35.43 | 48.50 | 3363 0983 75 |
| 4 | Chisel (X-profile) | 2.56 | 11.81 | 23.62 | 28.66 | 3363 0982 53 |
| 5 | Blunt tool | - | 11.81 | 23.62 | 33.07 | 3083 3411 00 |
| 6 | Wide chisel (cross) | 4.92 | 13.78 | 25.60 | 35.27 | 3083 3163 00 |
| 7 | Wide chisel (parallel) | 4.92 | 13.78 | 25.60 | 35.27 | 3083 3167 00 |
| 8 | Asphalt cutter (cross) | 5.71 | 13.78 | 25.60 | 33.07 | 3083 3409 46 |
| 9 | Asphalt cutter (parallel) | 5.71 | 13.78 | 25.60 | 33.07 | 3083 3409 47 |
| 10 | Shaft | - | - | 23.62 | 0.83 | 3315 3702 00 |
| 11 | Tamping pad (square) | Ø11.81 | - | - | 1.30 | 3315 3709 00 |
| 12 | Post driver pad (round) | Ø5.9 | - | - | 0.83 | 3315 3717 00 |
| 13 | Pile driver pad (round) | Ø3.9 | - | - | 0.35 | 3315 3723 00 |
| 14 | Bushing pad (round) | Ø5.1 | - | - | 0.38 | 3315 3730 00 |

Accessories

Optional equipment

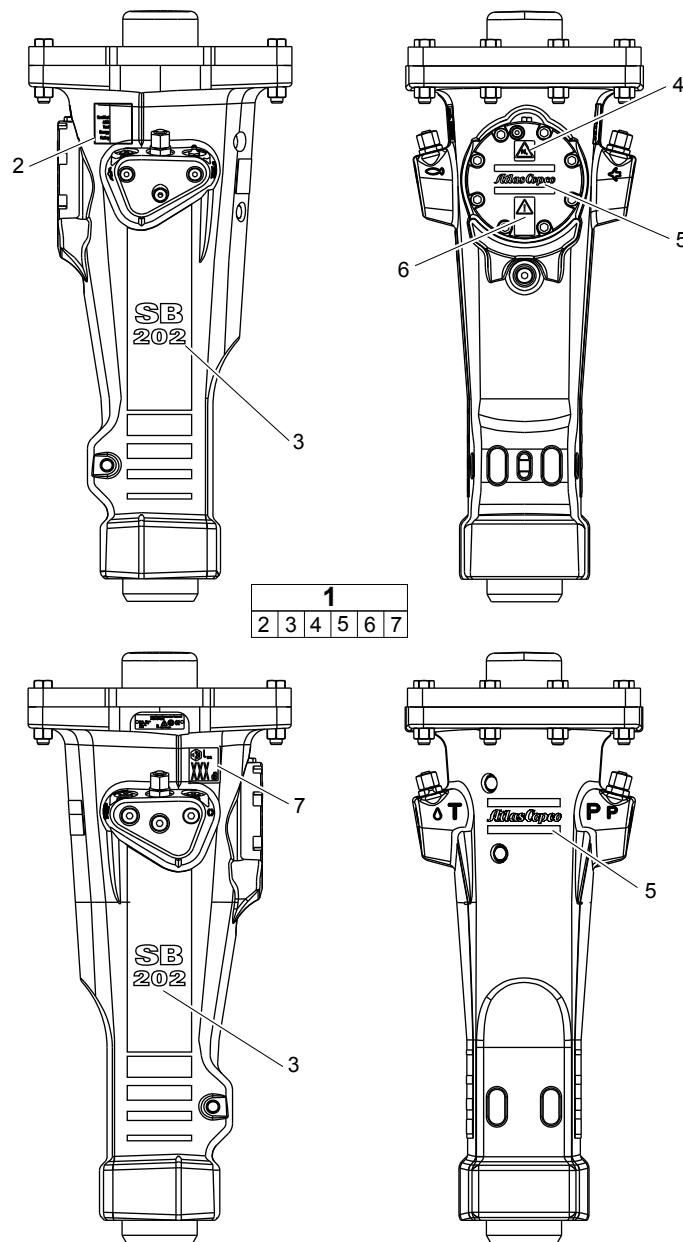
| Description | Remark | Quantity | Part number |
|--|---|----------|--------------|
| Grease gun | For manual greasing with cartridge, 400 g (0.88 lb) | 1 | 0909 1071 00 |
| Chisel paste cartridge | 400 g x 12 0.88 lb x 12 | 1 | 3363 0949 13 |
| ContiLube™ II micro | | 1 | 3315 3831 90 |
| Welding kit, universal | For ContiLube™ II micro | 1 | 3315 3867 80 |
| Hose kit, universal | For ContiLube™ II micro | 1 | 3315 3862 80 |
| Chisel paste cartridge | 150 g x 12 0.33 lb x 12 | 1 | 3363 1064 47 |
| Filling device | For the 150 g (0.33 lb) Chisel paste cartridges, to use in combination with Chisel paste container 15 kg (33 lb) | 1 | 3363 0946 69 |
| Filling adapter | For the 150 g (0.33 lb) Chisel paste cartridges, suitable with the filling device for 15 kg (33 lb) and 45 kg (99 lb) | 1 | 3315 3839 80 |
| Filling device | For the 150 g (0.33 lb) Chisel paste cartridges, to use in combination with Chisel paste container 45 kg (99 lb) | 1 | 3363 0664 11 |
| Chisel paste container | 15 kg 33 lb | 1 | 3362 2639 00 |
| Chisel paste container | 45 kg 99 lb | 1 | 3362 2632 75 |
| Filling device for accumulator | | 1 | 3360 9204 15 |
| Nipple, for charging the accumulator | | 1 | 3363 0944 59 |
| Filling hose, for charging the accumulator | | 1 | 3361 3298 03 |
| Bushing wear controller | | 1 | 3315 3531 00 |

Hydraulic hoses

| Description | Remark | Quantity | Part number |
|------------------------|---|----------|--------------|
| Hose | I.D. 16 (0.63 in.), both ends M26 x 1.5 mm conical seal 24°, length 1,500 mm (59 in.) | 2 | 3360 9957 17 |
| Hose | I.D. 16 (0.63 in.), both ends M26 x 1.5 mm conical seal 24°, length 2,000 mm (79 in.) | 2 | 3362 2351 59 |
| Hose | I.D. 16 (0.63 in.), both ends M26 x 1.5 mm conical seal 24°, length 2,400 mm (94 in.) | 2 | 3363 0833 13 |
| Additional fitting kit | Needed to fit two hoses to the hydraulic breaker | 1 | 3363 0980 18 |

Kits

Label kit

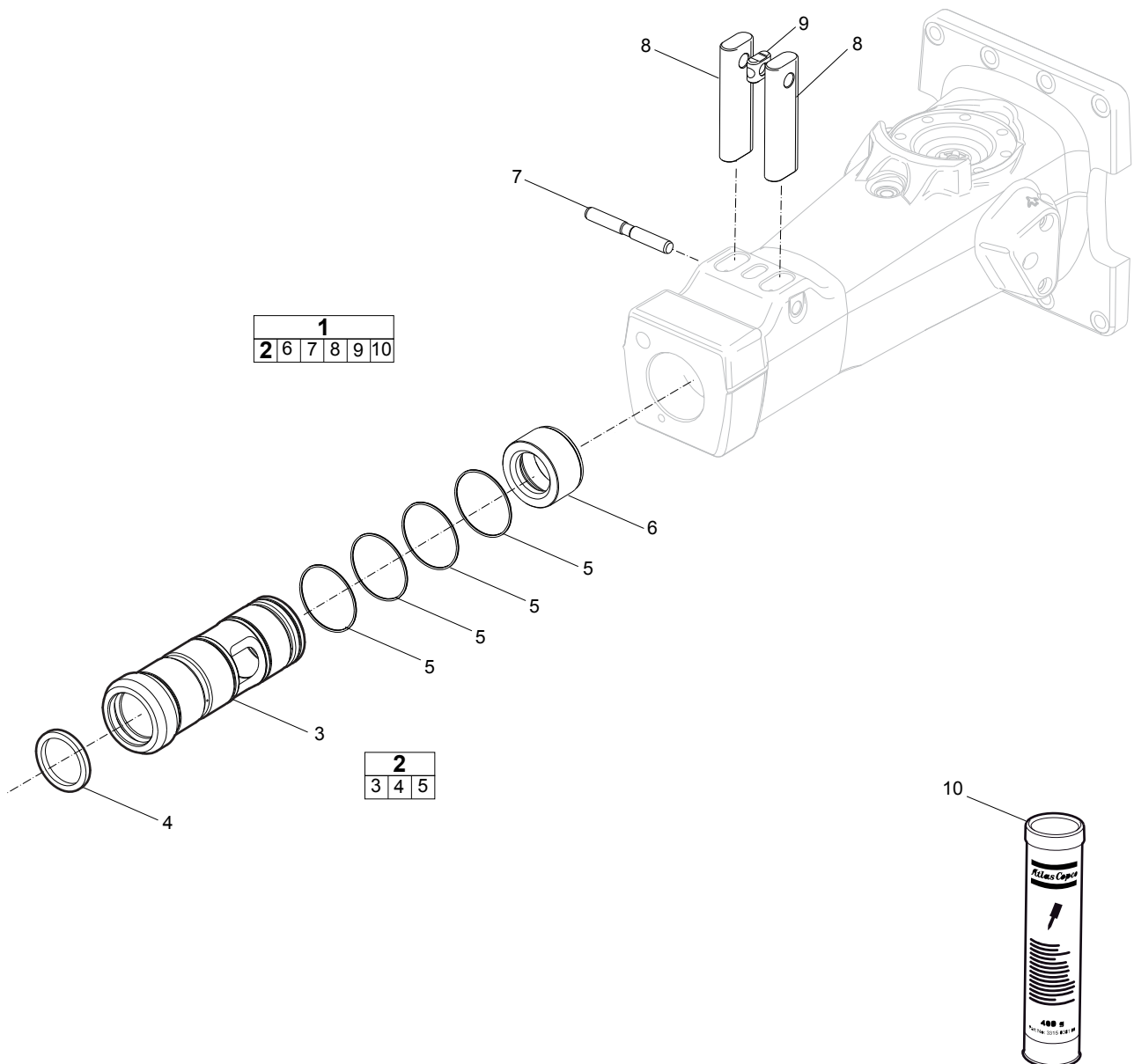


| No. | Description | Remark | Quantity | Part number |
|--------|-------------------|---------------|----------|--------------|
| 1(2-7) | Label kit | | 1 | 3315 2943 90 |
| 2 | AEM sign | | 1 | - |
| 3 | Product label | "SB 202" | 2 | - |
| 4 | Safety label | | 1 | - |
| 5 | Product label | "Atlas Copco" | 2 | - |
| 6 | Safety label | | 1 | - |
| 7 | Sound power label | | 1 | - |

Seal kit

| Description | Remark | Quantity | Part number |
|-----------------|---|----------|--------------|
| Seal kit | | 1 | 3315 2870 90 |
| Scraper ring | | 1 | 3315 3562 00 |
| O-ring | 79.5 x 3 mm 3.13 x 0.12 in. (90 shore) | 4 | 0663 6140 01 |
| Seal washer | | 1 | 0661 1000 24 |
| O-ring | 13.3 x 2.4 mm 0.52 x 0.09 in. (70 shore) | 1 | 0663 2120 00 |
| O-ring | 7.3 x 2.4 mm 0.29 x 0.09 in. (90 shore) | 1 | 0663 2114 00 |
| Seal ring | | 2 | 0664 0000 03 |
| Seal ring | | 1 | 3115 3290 02 |
| O-ring | 12.42 x 1.78 mm 0.49 x 0.07 in. (90 shore) | 2 | 0663 9055 01 |
| O-ring | 15.6 x 1.78 mm 0.61 x 0.07 in. (70 shore) | 2 | 0663 9032 01 |
| O-ring | 10.82 x 1.78 mm 0.43 x 0.07 in. (90 shore) | 2 | 0663 9054 01 |
| Seal | SCR 10 x 16 x 2.4 mm | 2 | 0665 0900 14 |
| Plug | | 1 | 3315 3011 00 |
| Wiper | | 1 | 0665 9099 56 |
| Piston rod seal | | 1 | 0665 0701 30 |
| O-ring | 99.5 x 3 mm 3.9 x 0.12 in. (90 shore) | 9 | 0663 2104 94 |
| Piston rod seal | | 1 | 0665 0701 29 |
| Valve rubber | | 1 | 3315 2808 00 |
| O-ring | 36.17 x 2.62 mm (Polyuretan) 1.42 x 0.10 in. | 2 | 0663 2114 44 |
| O-ring | 101.34 x 1.78 mm 3.99 x 0.07 in. (70 shore) | 1 | 0663 2101 73 |

Lower hammer part kit



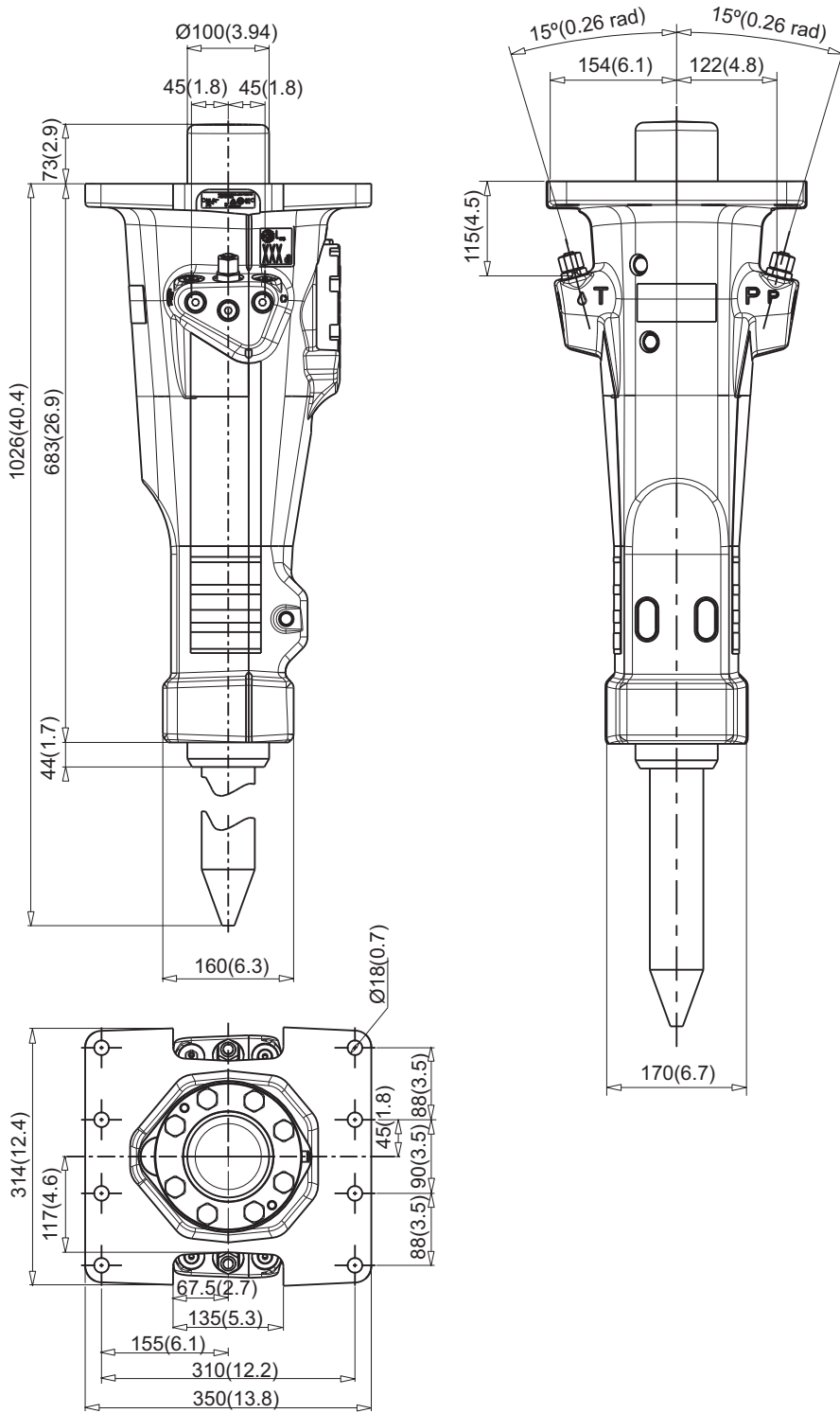
| No. | Description | Remark | Quantity | Part number |
|-----------|------------------------|--------|----------|--------------|
| 1(2,6-10) | Lower hammer part kit | | 1 | 3315 3521 45 |
| 2(3-5) | Bushing, complete | | 1 | 3315 3540 80 |
| 3 | Bushing | | 1 | - |
| 4 | Scraper ring | | 1 | 3315 3562 00 |
| 5 | O-ring | | 4 | 0663 2104 98 |
| 6 | Stop ring | | 1 | 3315 2778 00 |
| 7 | Lock pin | | 1 | 3315 1350 00 |
| 8 | Tool retainer | | 2 | 3315 1349 00 |
| 9 | Lock buffer | | 1 | 3315 1419 00 |
| 10 | Chisel paste cartridge | 400g | 1 | - |

Accumulator repair kit

| Description | Remark | Quantity | Part number |
|-------------------------------|---|----------|--------------|
| Accumulator repair kit | | 1 | 3315 2824 90 |
| Coil spring | | 1 | 3315 2933 00 |
| Diaphragm support | | 1 | 3315 2889 00 |
| Diaphragm | | 1 | 3315 2890 00 |
| Hexagon socket screw | Screw with extra high fatigue strength. | 8 | 0211 1965 34 |
| Plug | VSTI R ¼-ED | 1 | 0686 3718 05 |
| Seal washer | | 1 | 3315 3290 02 |
| O-ring | 13.3 x 2.4 mm 0.52 x 0.09 in. (70 shore) | 1 | 0663 2120 00 |
| Charge valve | | 1 | 3315 3660 00 |
| O-ring | 7.3 x 2.4 mm 0.29 x 0.09 in. (90 shore) | 1 | 0663 2114 00 |
| Parallel pin | D4 x 25 mm | 1 | 0101 4140 00 |

Dimensions

mm (inch)





Any unauthorized use or copying of the contents or any part thereof is prohibited.
This applies in particular to trademarks, model denominations, part numbers, and drawings.

© 2012 Atlas Copco Construction Tools AB | No. 9800 0408 01h | 2012-08-20

www.atlascopco.com