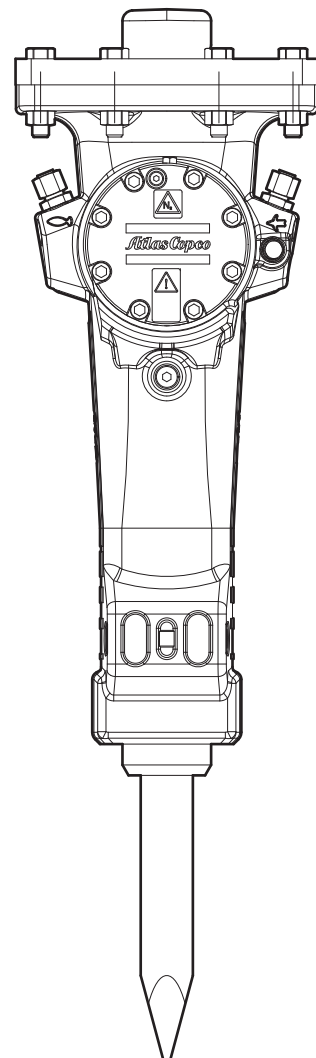


## Spare parts list Hydraulic breakers





# Contents

<b>General information</b> .....	5
<b>Spare parts list</b> .....	6
<b>Optional parts</b> .....	10
Bushing oversize, complete.....	10
Restrictor, complete.....	12
<b>Tightening torque</b> .....	14
<b>Working tools</b> .....	15
<b>Accessories</b> .....	17
<b>Optional equipment</b> .....	17
<b>Hydraulic hoses</b> .....	17
<b>Kits</b> .....	18
<b>Label kit</b> .....	18
<b>Seal kit</b> .....	19
<b>Lower hammer part kit</b> .....	20
<b>Accumulator repair kit</b> .....	21
<b>Dimensions</b> .....	22



## General information

This spare parts list applies to the following:

Part number	Description
8460 0300 40	Hydraulic breaker SB 152

Use only authorized parts. Any damage or malfunction caused by the use of unauthorized parts is not covered by Warranty or Product Liability. Any unauthorized use or copying of the contents or any part thereof is prohibited. This applies in particular to trademarks, model denominations, part numbers, and drawings.

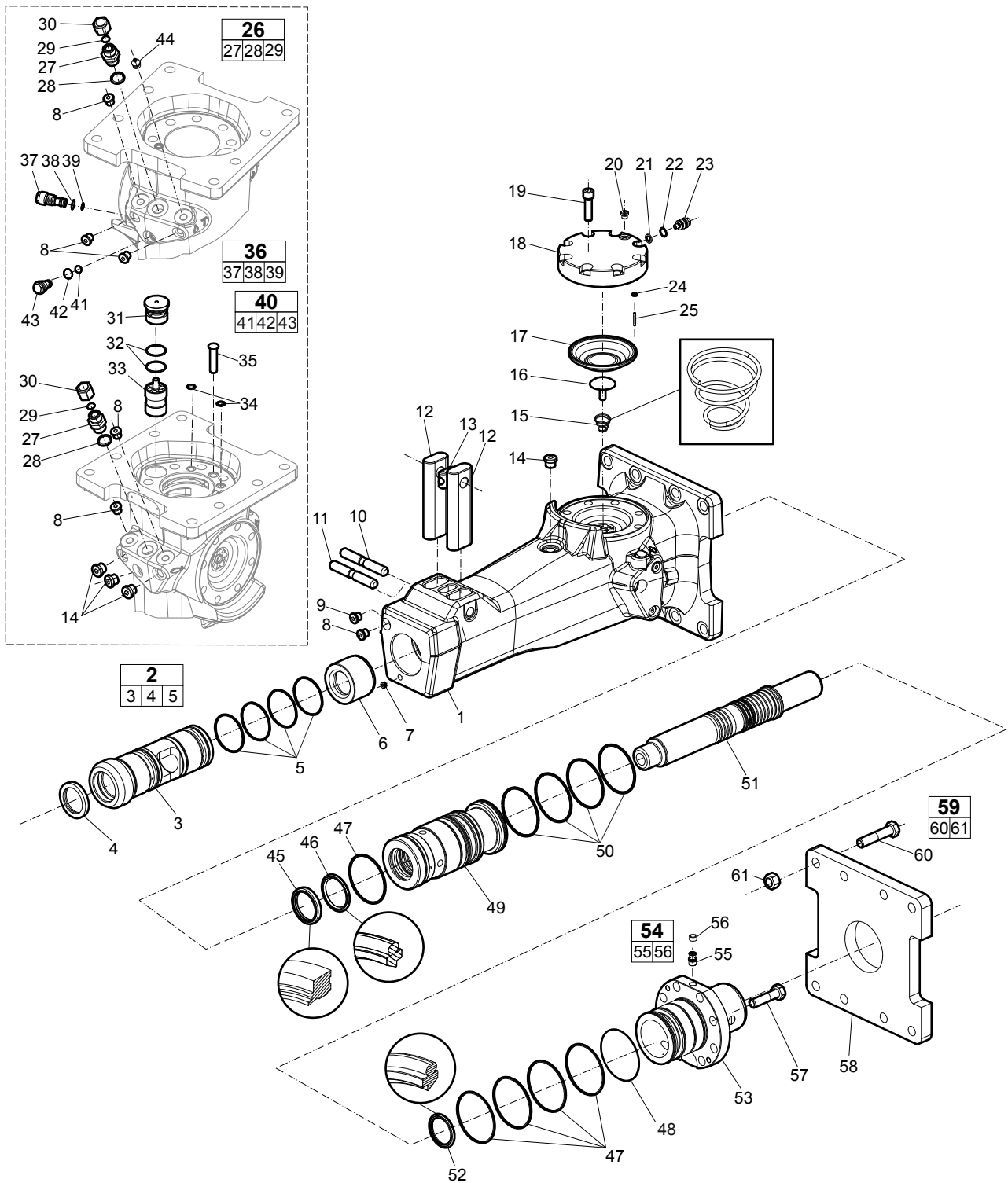
### Instructions for use

This spare parts list contains no safety regulations and is merely intended to assist in the ordering of spare parts.

For information about operating, servicing, or repairing, the relevant Safety and operating instructions must be consulted at all costs.

Please observe the safety instructions listed in the relevant Safety and operating instructions!

# Spare parts list



No.	Description	Remark	Quantity	Part number
1	Breaker body		1	-
<b>2(3-5)</b>	<b>Bushing, complete</b>	For mor bushings, see section "Bushing oversize, complete".	1	3315 3539 80
3	Bushing	ø75 mm ø2.95 in.	1	-
4	Scraper ring		1	3315 3564 00
5	O-ring	64.5 x 3 mm 2.53 x 0.12 in. (90 shore)	4	0663 2102 89
6	Stop ring		1	3315 2918 00
7	Plug		1	0686 1000 09
8	Hexagon socket plug	VSTI R ¼-ED	6	0686 6442 07
9	Water nozzle, option		1	3315 3952 00
10	Lock pin		1	3315 2930 00
11	Spring pin, option		1	0108 1691 26
12	Tool retainer		2	3315 1470 00
13	Lock buffer		1	3315 1419 00
14	Hexagon socket plug	VSTI R ⅜-ED	4	0686 3718 01
15	Coil spring		1	3315 2933 00
16	Diaphragm support		1	3315 2889 00
17	Diaphragm		1	3315 2890 00
18	Accumulator house		1	3315 2824 00
19	Hexagon socket screw	Screw with extra high fatigue strength.	8	0211 1965 34
20	Hexagon socket plug	VSTI R ⅜-ED	1	0686 3718 05
21	Seal ring		1	3115 3290 02
22	O-ring	13.3 x 2.4 mm 0.52 x 0.09 in.	1	0663 2120 00
23	Charge valve		1	3315 3660 00
24	O-ring	7.3 x 2.4 mm 0.29 x 0.09 in.	1	0663 2114 00
25	Parallel pin	D4 x 25 mm	1	0101 4140 00
<b>26(27-29)</b>	<b>Nipple, complete</b>	1⅜ - 16UN G½A	1	0570 7000 03
27	Nipple		1	-
28	Seal ring		1	0664 0000 03
29	O-ring	12.42 x 1.78 mm 0.49 x 0.07 in.	1	0663 9055 01
30	Cap		2	0570 7000 19
31	Valve cover		1	3315 3640 00
32	O-ring	31.2 x 3 mm 1.23 x 0.12 in.	2	0663 2114 90
33	Control valve		1	3315 2919 00
34	Seal ring		2	0665 0900 14
35	Plug		1	3315 3050 00
<b>36(37-39)</b>	<b>Pressure relief valve, complete</b>		1	3315 3350 00
37	Pressure relief valve		1	-
38	O-ring	15.6 x 1.78 mm 0.61 x 0.07 in.	1	0663 9032 01
39	O-ring	10.82 x 1.78 mm 0.43 x 0.07 in.	1	0663 9054 01
<b>40(41-43)</b>	<b>Restrictor standard, complete</b>	For more restrictors, see section "Restrictor, complete".	1	3315 3695 51
41	O-ring	10.82 x 1.78 mm 0.43 x 0.07 in.	1	0663 9054 01
42	O-ring	15.6 x 1.78 mm 0.61 x 0.07 in.	1	0663 9032 01
43	Restrictor	ø5.1 mm ø0.20 in.	1	-

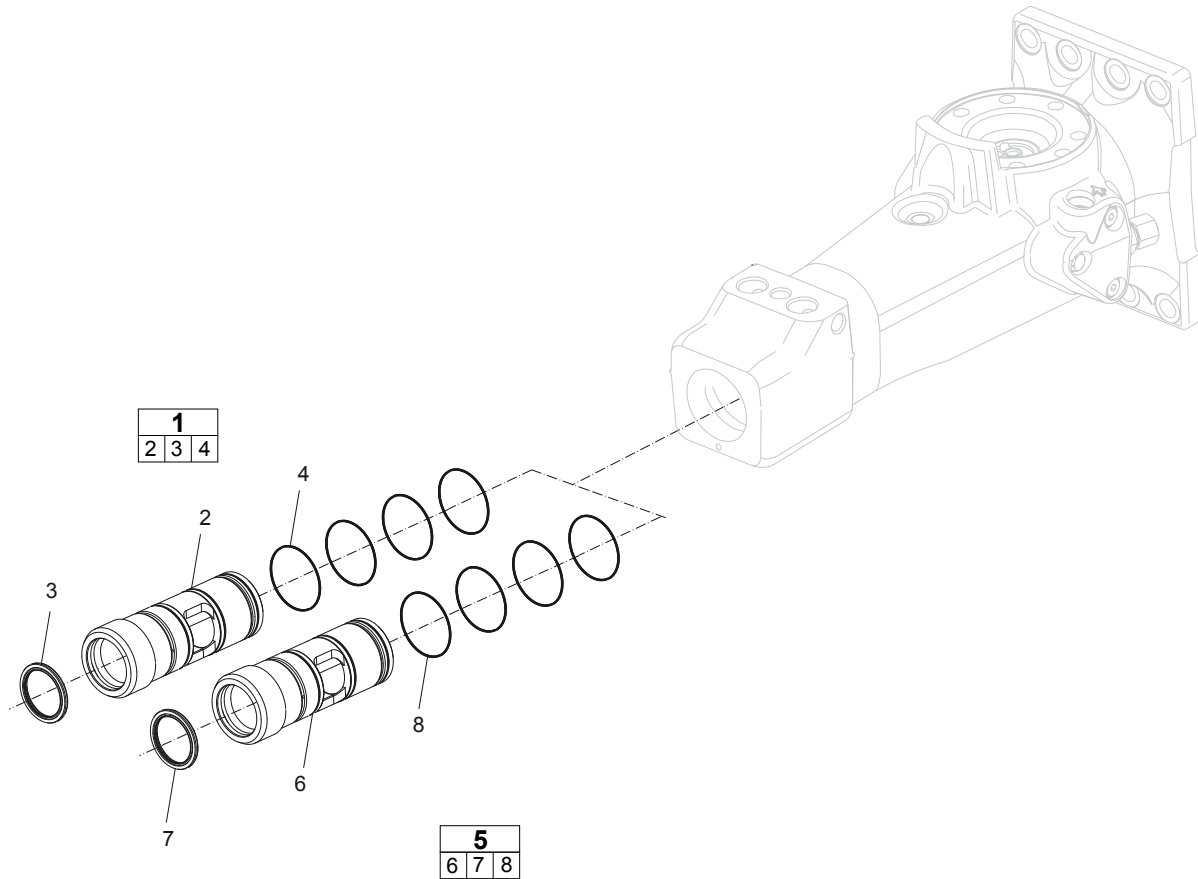
No.	Description	Remark	Quantity	Part number
44	Grease nipple	ISO 7-R¼	1	0544 2153 00
45	Wiper		1	0665 9099 54
46	Piston rod seal		1	0665 0701 31
47	O-ring	86 x 3 mm 3.39 x 0.12 in. (90 shore)	5	0663 2114 56
48	O-ring	88.62 x 1.78 mm 3.49 x 0.07 in. (90 shore)	1	0663 2106 31
49	Liner		1	3315 2913 00
50	O-ring	84.5 x 3 mm 3.33 x 0.12 in. (90 shore)	4	0663 2100 53
51	Piston		1	3315 2917 00
52	Piston rod seal		1	0665 0701 32
53	Back head		1	3315 2939 00
<b>54(55-56)</b>	<b>Check valve, complete</b>		1	3315 2448 81
55	Check valve		1	-
56	Valve rubber		1	3315 2808 00
57	Hexagon head screw	M16 x 60 mm 8.8 fzb	8	0147 1481 03
58	Base plate, option		1	3315 3043 00
<b>59(60-61)</b>	<b>Set of eight screws, complete</b>		1	3315 2964 90
60	Screw	M16 x 75 mm 8.8 fzb	8	-
61	Nut	M16	8	-





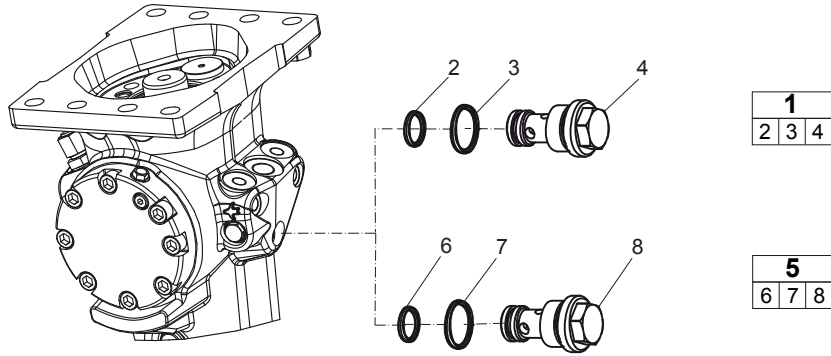
## Optional parts

### Bushing oversized, complete



No.	Description	Remark	Quantity	Part number
<b>1(2-4)</b>	<b>Bushing oversize, complete</b>		1	3315 3539 60
2	Bushing	Ø76.5 mm Ø3.01 in.	1	-
3	Scraper ring		1	3315 3564 00
4	O-ring	69.5 x 3 mm 2.74 x 0.12 in.	4	0663 2106 12
<b>5(6-8)</b>	<b>Bushing oversize, complete</b>		1	3315 3539 63
6	Bushing	Ø78 mm Ø3.07 in.	1	-
7	Scraper ring		1	3315 3564 00
8	O-ring	69.5 x 3 mm 2.74 x 0.12 in.	4	0663 2106 12

Restrictor, complete



No.	Description	Remark	Quantity	Part number
<b>1(2-4)</b>	<b>Restrictor, complete</b>		1	3315 3695 35
2	O-ring	10.82 x 1.78 mm 0.43 x 0.07 in.	1	-
3	O-ring	15.6 x 1.78 mm 0.61 x 0.07 in.	1	-
4	Restrictor	Ø4.5 mm Ø0.18 in.	1	-
<b>5(6-8)</b>	<b>Restrictor, complete</b>		1	3315 3695 40
6	O-ring	10.82 x 1.78 mm 0.43 x 0.07 in.	1	-
7	O-ring	15.6 x 1.78 mm 0.61 x 0.07 in.	1	-
8	Restrictor	Ø4.0 mm Ø0.16 in.	1	-

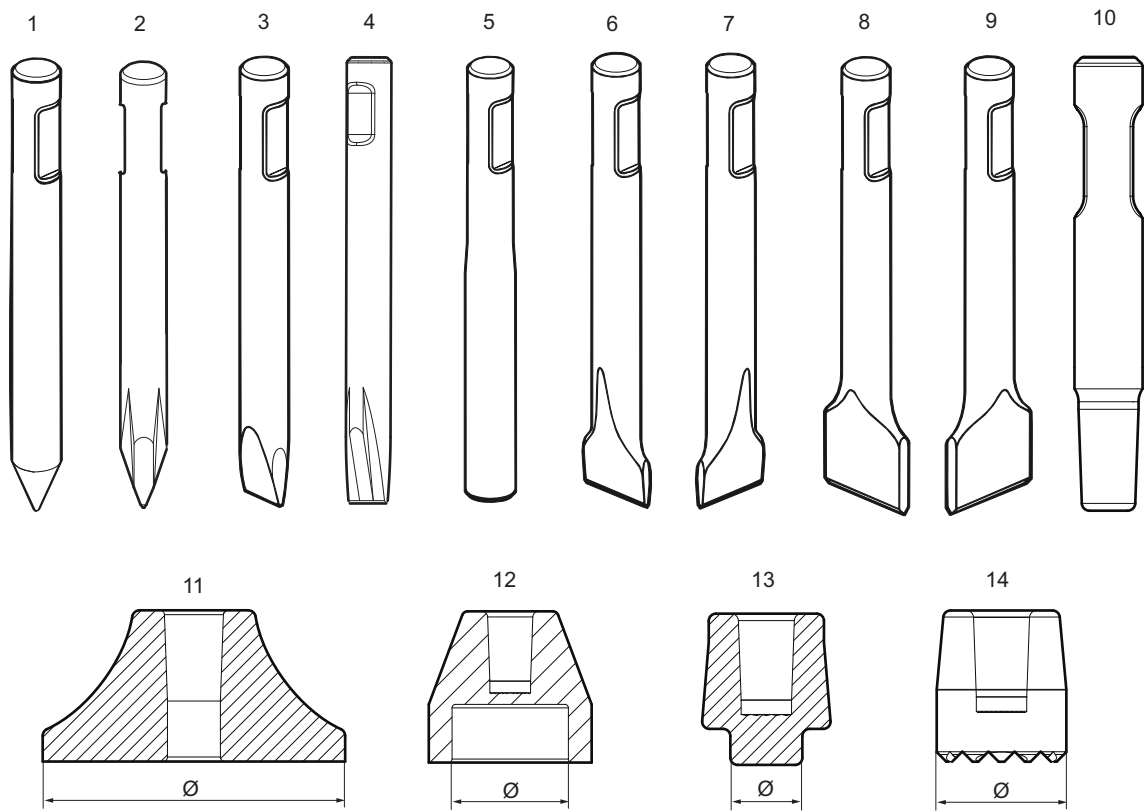
## Tightening torque

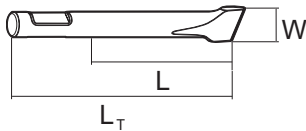
No.	Description	Tightening torque	Remark
8	Hexagon socket plug	30 Nm	LOCTITE® 243™
14	Hexagon socket plug	80 Nm	LOCTITE® 243™
19	Hexagon socket screw	120 Nm	Molycote®
20	Hexagon socket plug	20 Nm	
23	Charge valve	20 Nm	
27	Nipple	210 Nm	
37	Pressure relief valve	80 Nm	
43	Restrictor	80 Nm	
44	Grease nipple	30 Nm	
55	Check valve	30 Nm	LOCTITE® 243™
57	Hexagon head screw	180 Nm	Molycote®
61	Nut	200 Nm	

LOCTITE is a registered trademark of Henkel Corporation. 243 is a trademark of Henkel Corporation.

Molycote is a registered trademark of Dow Corning Corporation.

# Working tools



**Metric**

No.	Description	W (mm)	L (mm)	L <sub>T</sub> (mm)	Wt (kg)	Part number
1	Moil point	-	250	510	6.7	3083 3169 00
		-	490	750	10.0	3083 3169 01
2	Moil point (X-profile)	-	250	510	6.6	3363 0982 50
3	Chisel (cross)	50	250	510	6.9	3083 3170 00
		50	490	750	10.0	3083 3409 34
4	Chisel (X-profile)	50	250	510	6.7	3363 0982 51
5	Blunt tool	-	250	510	9.3	3083 3182 00
6	Wide chisel (cross)	125	220	480	7.2	3083 3171 00
7	Wide chisel (parallel)	125	220	480	7.2	3083 3172 00
8	Asphalt cutter (cross)	115	230	490	6.4	3083 3173 00
9	Asphalt cutter (parallel)	115	230	490	6.4	3083 3174 00
10	Shaft	-	-	510	6.8	3315 3701 00
11	Tamping pad (square)	Ø 200	-	-	15	3315 3706 00
12	Post driver pad (round)	Ø 100	-	-	8.5	3315 3714 00
13	Pile driver pad (round)	Ø 50	-	-	3.3	3315 3721 00
14	Bushing pad (round)	Ø 90	-	-	4.1	3315 3728 00

**Imperial**

No.	Description	W (in.)	L (in.)	L <sub>T</sub> (in.)	Wt (lb)	Part number
1	Moil point	-	9.84	20.08	14.8	3083 3169 00
		-	19.29	29.53	22.0	3083 3169 01
2	Moil point (X-profile)	-	9.84	20.08	14.6	3363 0982 50
3	Chisel (cross)	1.97	9.84	20.08	15.2	3083 3170 00
		1.97	19.29	29.53	22.0	3083 3409 34
		4.92	8.66	18.90	15.9	3083 3171 00
4	Chisel (X-profile)	1.97	9.84	20.08	14.8	3363 0982 51
		4.92	8.66	18.90	15.9	3083 3172 00
5	Blunt tool	-	9.84	20.08	20.5	3083 3182 00
3	Wide chisel (cross)	4.92	8.66	18.90	15.9	3083 3171 00
4	Wide chisel (parallel)	4.92	8.66	18.90	15.9	3083 3172 00
6	Asphalt cutter (cross)	4.53	9.06	19.29	14.1	3083 3173 00
7	Asphalt cutter (parallel)	4.53	9.06	19.29	14.1	3083 3174 00
10	Shaft	-	-	20.08	15.0	3315 3701 00
11	Tamping pad (square)	Ø 7.87	-	-	33.1	3315 3706 00
12	Post driver pad (round)	Ø 3.94	-	-	18.7	3315 3714 00
13	Pile driver pad (round)	Ø 1.97	-	-	7.3	3315 3721 00
14	Bushing pad (round)	Ø 3.54	-	-	9.0	3315 3728 00



## Accessories

### Optional equipment

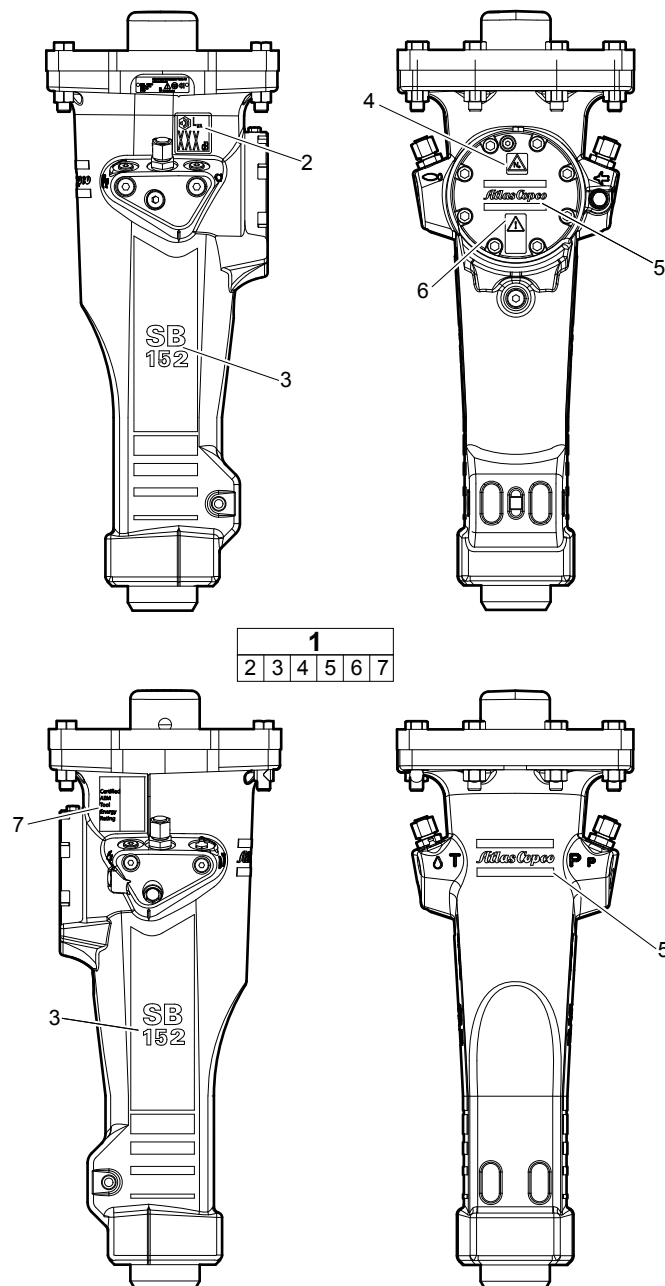
Description	Remark	Quantity	Part number
Grease gun	For manual greasing with cartridge, 400 g (0.88 lb)	1	0909 1071 00
Chisel paste cartridge	400 g x 12 0.88 lb x 12	1	3363 0949 13
ContiLube™ II micro		1	3315 3831 90
Welding kit, universal	For ContiLube™ II micro	1	3315 3867 80
Hose kit, universal	For ContiLube™ II micro	1	3315 3862 80
Chisel paste cartridge	150 g x 12 0.33 lb x 12	1	3363 1064 47
Filling device	For the 150 g (0.33 lb) Chisel paste cartridges, to use in combination with Chisel paste container 15 kg (33 lb)	1	3363 0946 69
Filling adapter	For the 150 g (0.33 lb) Chisel paste cartridges, suitable with the filling device for 15 kg (33 lb) and 45 kg (99 lb)	1	3315 3839 80
Filling device	For the 150 g (0.33 lb) Chisel paste cartridges, to use in combination with Chisel paste container 45 kg (99 lb)	1	3363 0664 11
Chisel paste container	15 kg 33 lb	1	3362 2639 00
Chisel paste container	45 kg 99 lb	1	3362 2632 75
Filling device for accumulator		1	3360 9204 15
Nipple, for charging the accumulator		1	3363 0944 59
Filling hose, for charging the accumulator		1	3361 3298 03
Bushing wear controller		1	3315 3531 00

### Hydraulic hoses

Description	Remark	Quantity	Part number
Hose	I.D. 16 (0.63 in.), both ends M26 x 1.5 mm conical seal 24°, length 1,500 mm (59 in.)	2	3360 9957 17
Hose	I.D. 16 (0.63 in.), both ends M26 x 1.5 mm conical seal 24°, length 2,000 mm (79 in.)	2	3362 2351 59
Hose	I.D. 16 (0.63 in.), both ends M26 x 1.5 mm conical seal 24°, length 2,400 mm (94 in.)	2	3363 0833 13
Additional fitting kit	Needed to fit two hoses to the hydraulic breaker	1	3363 0980 18

# Kits

## Label kit

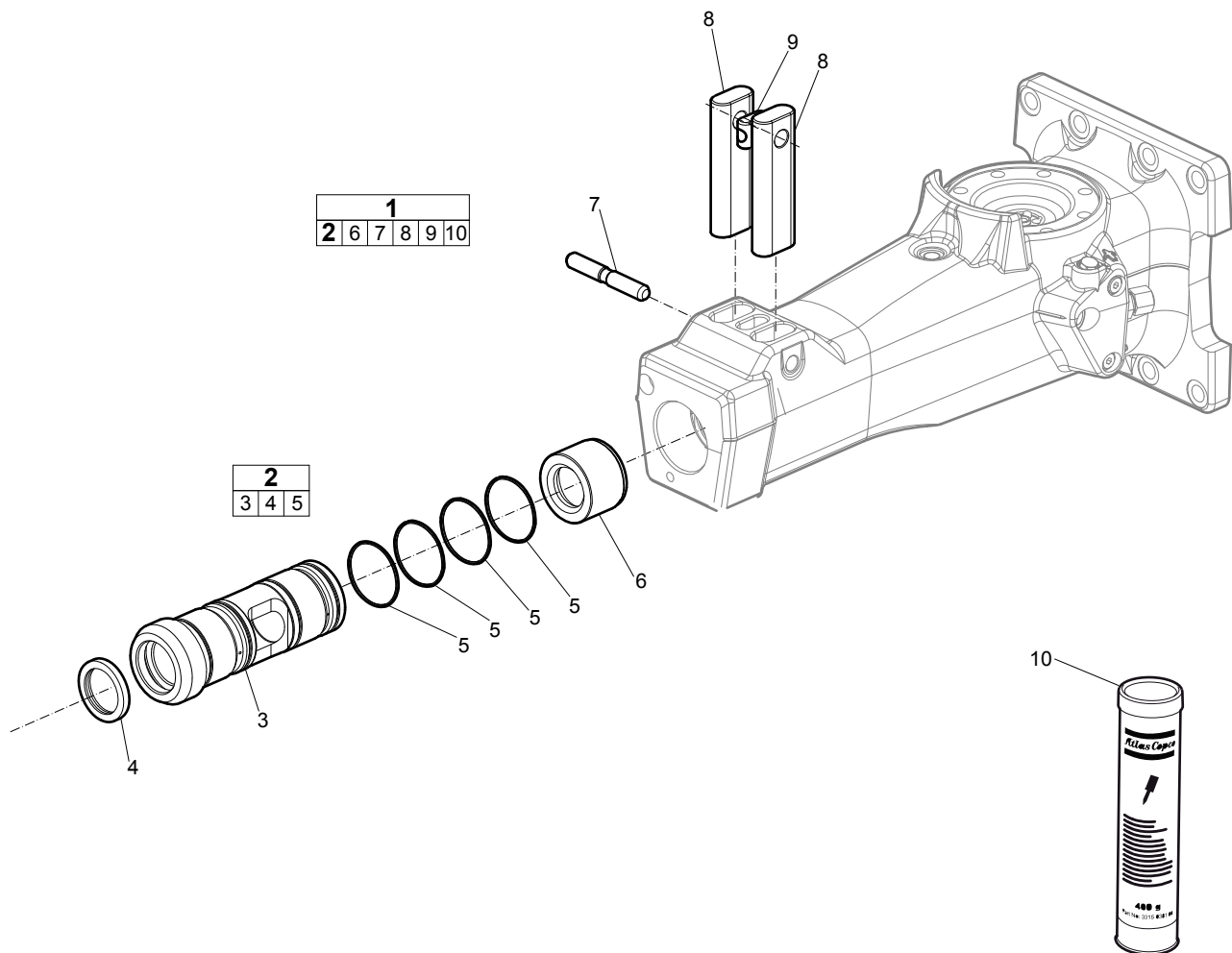


No.	Description	Remark	Quantity	Part number
1(2-7)	Label kit		1	3315 2905 91
2	Sound power label		1	-
3	Product label	"SB 152"	2	-
4	Safety label		1	-
5	Product label	"Atlas Copco"	2	-
6	Safety label		1	-
7	AEM sign		1	-

## Seal kit

Description	Remark	Quantity	Part number
<b>Seal kit</b>		1	3315 2905 90
Scraper ring		1	3315 3564 00
O-ring	64.5 x 3 mm 2.54 x 0.12 in. (90 shore)	4	0663 2102 89
Seal ring		1	0661 1000 24
Seal ring		1	3115 3290 02
O-ring	13.3 x 2.4 mm 0.52 x 0.09 in. (70 shore)	1	0663 2120 00
O-ring	7.3 x 2.4 mm 0.29 x 0.09 in. (90 shore)	1	0663 2114 00
Seal ring		2	0664 0000 03
O-ring	12.42 x 1.78 mm 0.49 x 0.07 in. (90 shore)	2	0663 9055 01
O-ring	31.2 x 3 mm 1.23 x 0.12 in. (90 shore)	1	0663 2114 24
Seal ring		2	0665 0900 14
O-ring	15.6 x 1.78 mm 0.61 x 0.07 in. (90 shore)	2	0663 9032 01
O-ring	10.82 x 1.78 mm 0.43 x 0.07 in. (90 shore)	2	0663 9054 01
Wiper		1	0665 9099 54
Piston rod seal		1	0665 0701 31
O-ring	84.5 x 3 mm 3.33 x 0.12 in. (90 shore)	4	0663 2100 53
Piston rod seal		1	0665 0701 32
O-ring	86 x 3 mm 3.39 x 0.12 in. (90 shore)	5	0663 2114 56
Valve rubber		1	3315 2808 00
O-ring	31.42 x 2.62 mm PUR 1.24 x 0.10 in. PUR (90 shore)	2	0663 2114 90
O-ring		1	0663 2106 31
Plug		1	3315 3050 00

## Lower hammer part kit



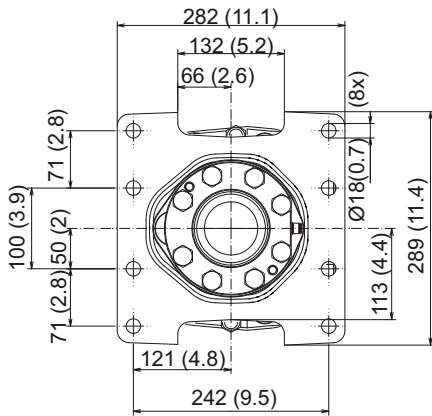
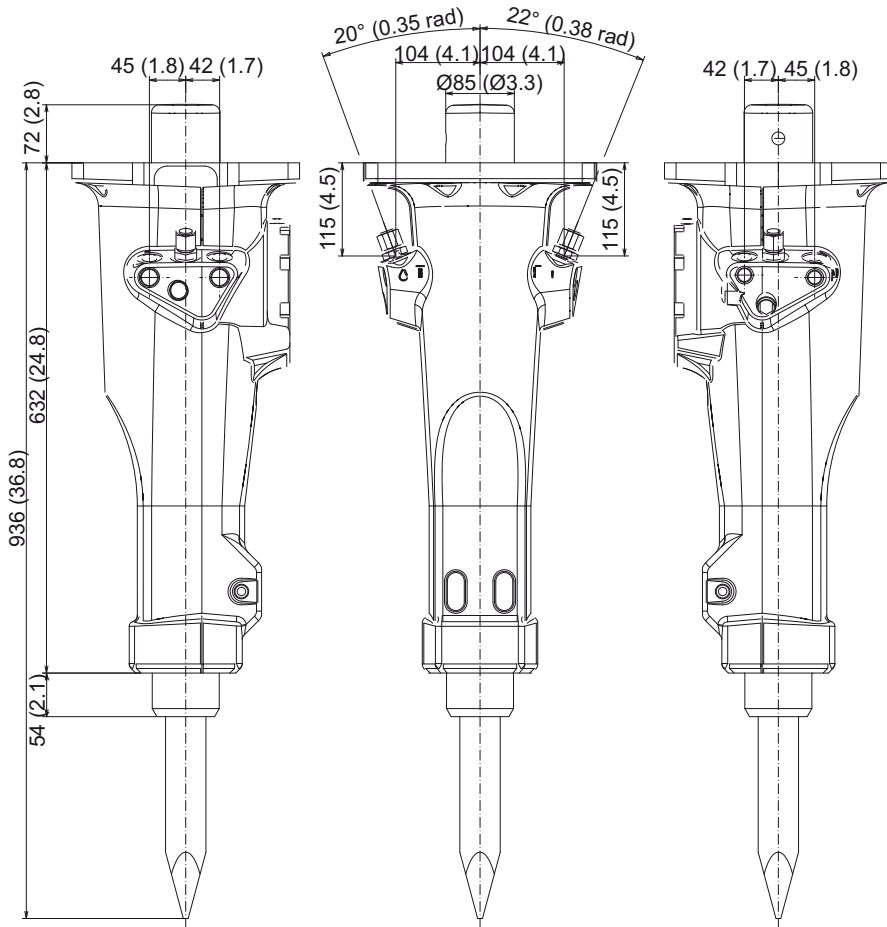
No.	Description	Remark	Quantity	Part number
1(2,6-10)	Lower hammer part kit		1	3315 3521 40
2(3-5)	Bushing, complete		1	3315 2916 80
3	Bushing		1	-
4	Scraper ring		1	3315 2963 00
5	O-ring		4	0663 2102 89
6	Stop ring		1	3315 2918 00
7	Lock pin		1	3315 2930 00
8	Tool retainer		2	3315 1470 00
9	Lock buffer		1	3315 1419 00
10	Chisel paste cartridge	400 g	1	-

## Accumulator repair kit

Description	Remark	Quantity	Part number
<b>Accumulator repair kit</b>		1	3315 2824 90
Coil spring		1	3315 2933 00
Diaphragm support		1	3315 2889 00
Diaphragm		1	3315 2890 00
Hexagon socket screw	Screw with extra high fatigue strength.	8	0211 1965 34
Hexagon socket plug	VSTI R 1/8-ED	1	0686 3718 05
Seal ring		1	3115 3290 02
O-ring	13.3 x 2.4 mm (70 shore)	1	0663 2120 00
Charge valve		1	3315 3660 00
O-ring	7.3 x 2.4 mm (90 shore)	1	0663 2114 00
Parallel pin	D4 x 25	1	0101 4140 00

# Dimensions

mm (inch)





Any unauthorized use or copying of the contents or any part thereof is prohibited.  
This applies in particular to trademarks, model denominations, part numbers, and  
drawings.

© 2012 Atlas Copco Construction Tools AB | No. 9800 0410 01f | 2012-08-23

**Atlas Copco**

[www.atlascopco.com](http://www.atlascopco.com)